

Model #64-2000

# Easy Assembly Instructions & Rules

## 4-in-1 Casino Table



**DO NOT RETURN TO STORE.**

**FOR ALL RETURNS AND WARRANTY  
COVERAGE PLEASE CALL GLD  
PRODUCTS:**

**1-800-225-7593**

Please provide model number, serial number, and/or part number of the product or part when you call. Numbers can be found on outside of packaging.





This manual is provided to instruct you during the assembly of your new Fat Cat™ Casino Table. Please refer to it as necessary. Be sure to have another person help you assemble the table.

Careful handling of all parts during assembly will ensure many years of enjoyment!

## Tools & Unpacking

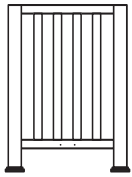
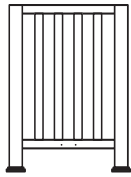
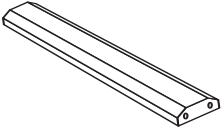
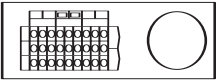
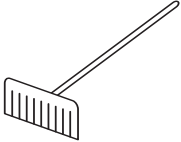
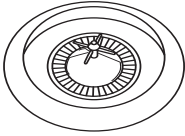
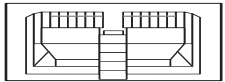


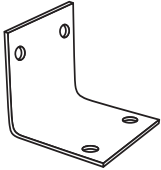
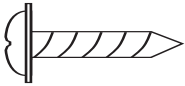
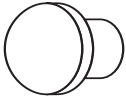
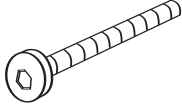
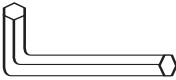
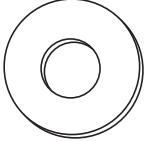
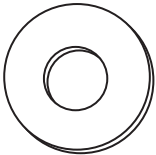
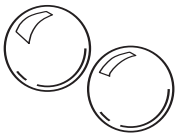
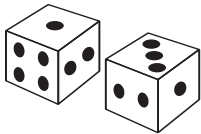

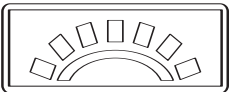
Assembly of the Fat Cat™ Casino Table requires the following common tools:

- Drill or screw gun with Phillips bit
- Scissors
- Tape measure
- Phillips screwdrivers
- Razor knife/Box cutter
- Rubber mallet

### PRO TIP

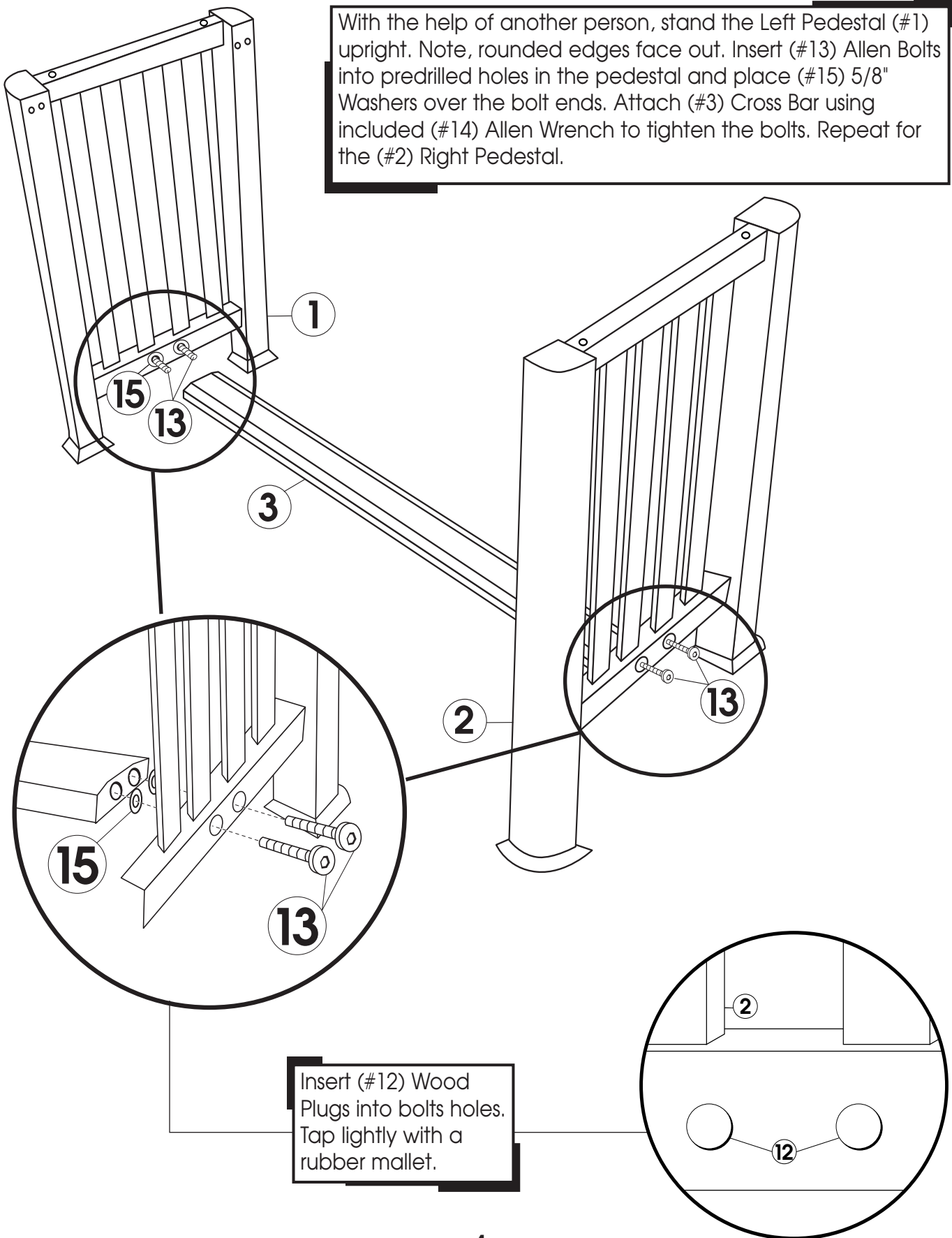
Arrange all of your tools before you begin assembly. Lay out parts in advance to easily follow the assembly instructions.

## Fat Cat™ Casino Table Parts List

<p><b>#1.</b></p>  <p>Left Side Pedestal 1 piece</p>	<p><b>#2.</b></p>  <p>Right Side Pedestal 1 piece</p>	<p><b>#3.</b></p>  <p>Cross Bar 1 piece</p>	<p><b>#4.</b></p>  <p>Roulette Table Top 1 piece</p>	<p><b>#5.</b></p>  <p>Roulette/Craps Rake 1 piece</p>
<p><b>#6.</b></p>  <p>Roulette Wheel 1 piece</p>	<p><b>#7.</b></p>  <p>Craps Table Top 1 piece</p>	<p><b>#8.</b></p>  <p>2 Decks of Playing Cards</p>	<p><b>#9.</b></p>  <p>Playing Chips 2 Boxes of 60 Chips</p>	<p><b>#10.</b></p>  <p>Metal Brackets 4 pieces</p>
<p><b>#11.</b></p>  <p>1/2" Phillips Wood Screw 16 pieces</p>	<p><b>#12.</b></p>  <p>Wood Plug 4 pieces</p>	<p><b>#13.</b></p>  <p>2" Screw/Bolts 8 pieces</p>	<p><b>#14.</b></p>  <p>Allen Wrench</p>	<p><b>#15.</b></p>  <p>5/8" Washers 4 pieces</p>
<p><b>#16.</b></p>  <p>1/2" Washers 4 pieces</p>	<p><b>#17.</b></p>  <p>Roulette Balls-Yellow 2 piece</p>	<p><b>#18.</b></p>  <p>Dice 1 pair</p>	<p><b>#19.</b></p>  <p>Roulette Marker 1 piece</p>	<p><b>#20.</b></p>  <p>Blackjack Table Top 1 piece</p>

# Step 1: Assembling the table frame

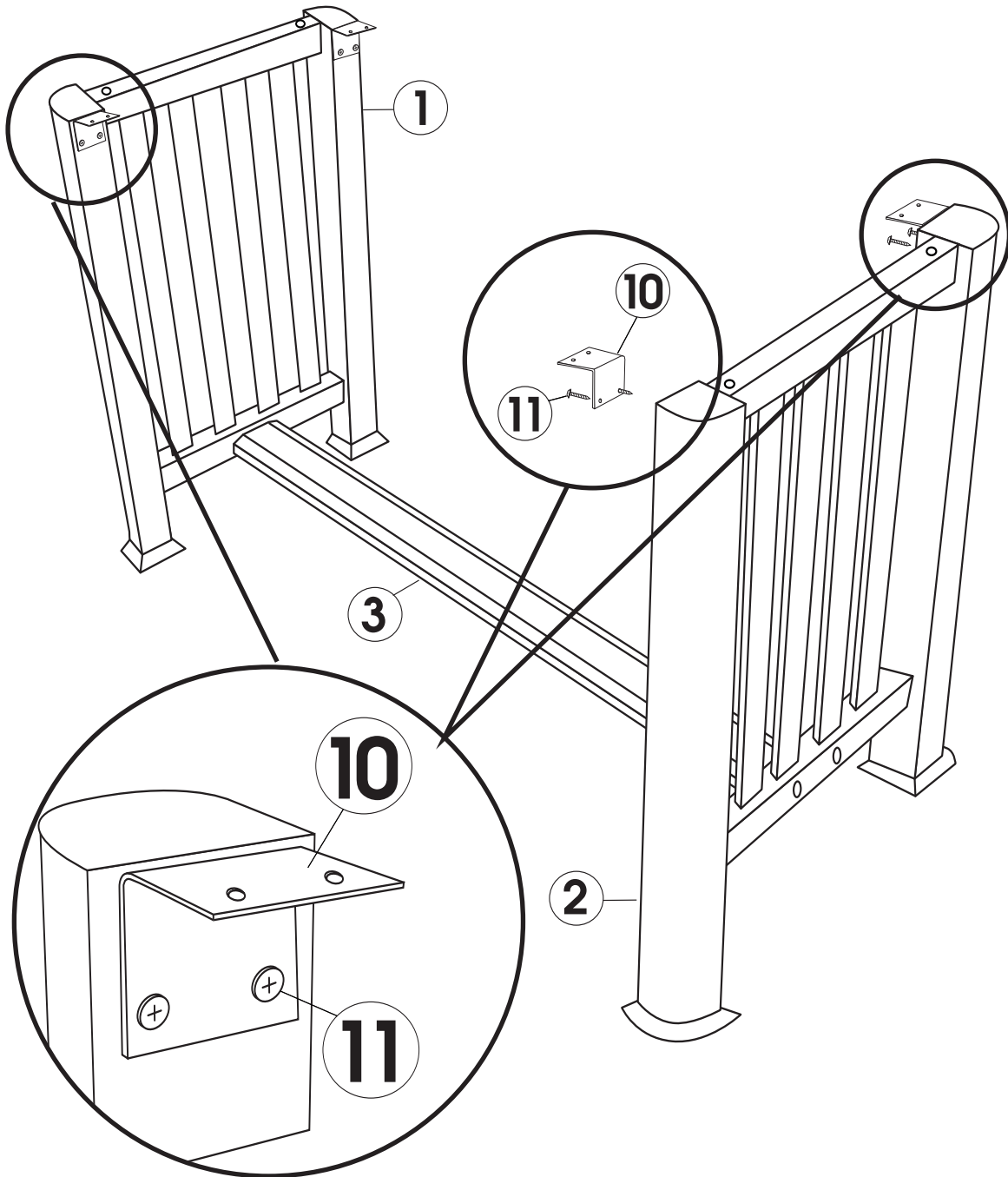
With the help of another person, stand the Left Pedestal (#1) upright. Note, rounded edges face out. Insert (#13) Allen Bolts into predrilled holes in the pedestal and place (#15) 5/8" Washers over the bolt ends. Attach (#3) Cross Bar using included (#14) Allen Wrench to tighten the bolts. Repeat for the (#2) Right Pedestal.



Insert (#12) Wood Plugs into bolts holes. Tap lightly with a rubber mallet.

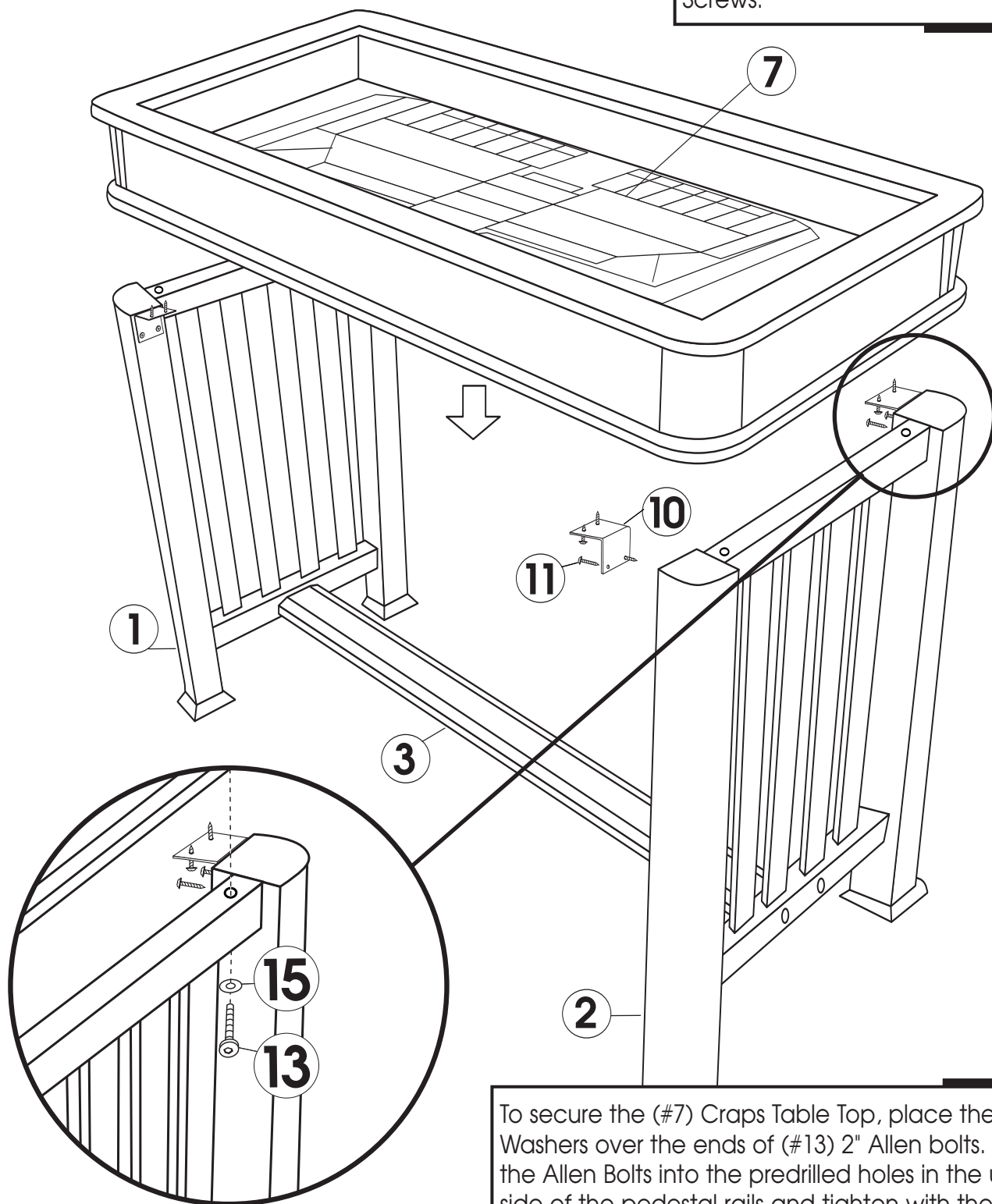
## Step 2: Assembling the table top

Attach the (#10) Metal Brackets to the inside top of the pedestals. Secure with (#11) 1/2" Phillips Head Wood Screws.



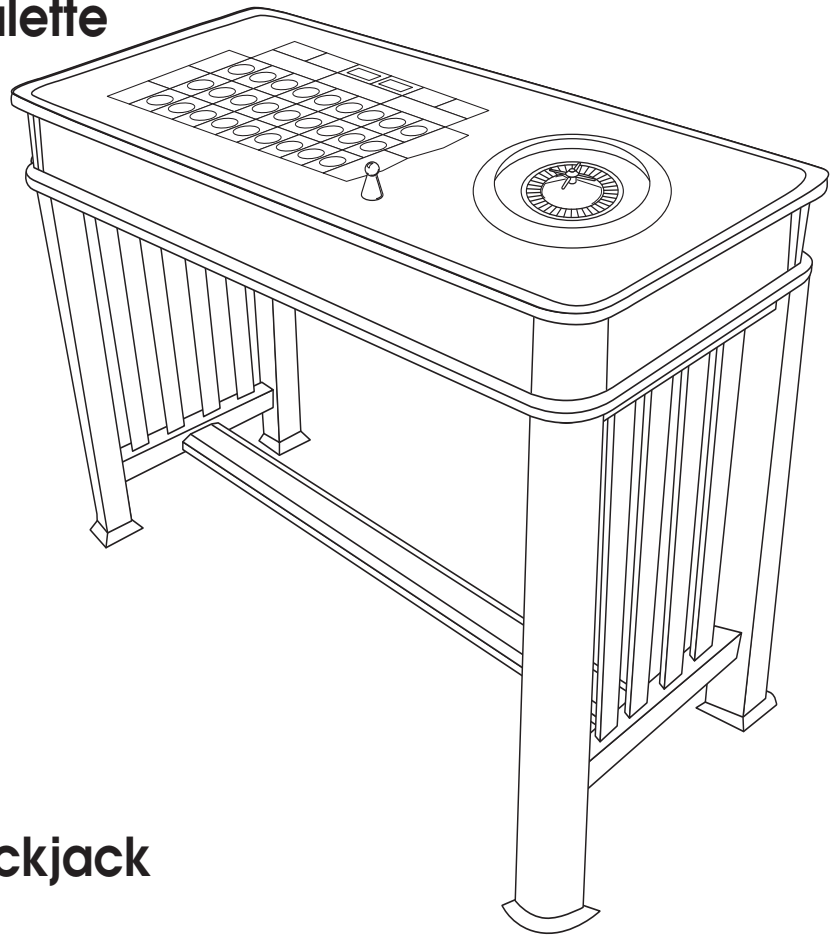
## Step 3: Securing the Table Top

Place the preassembled (#7) Craps Table Top on the (#10) Metal Brackets and fasten with (#11) 1/2" Phillips Head Wood Screws.



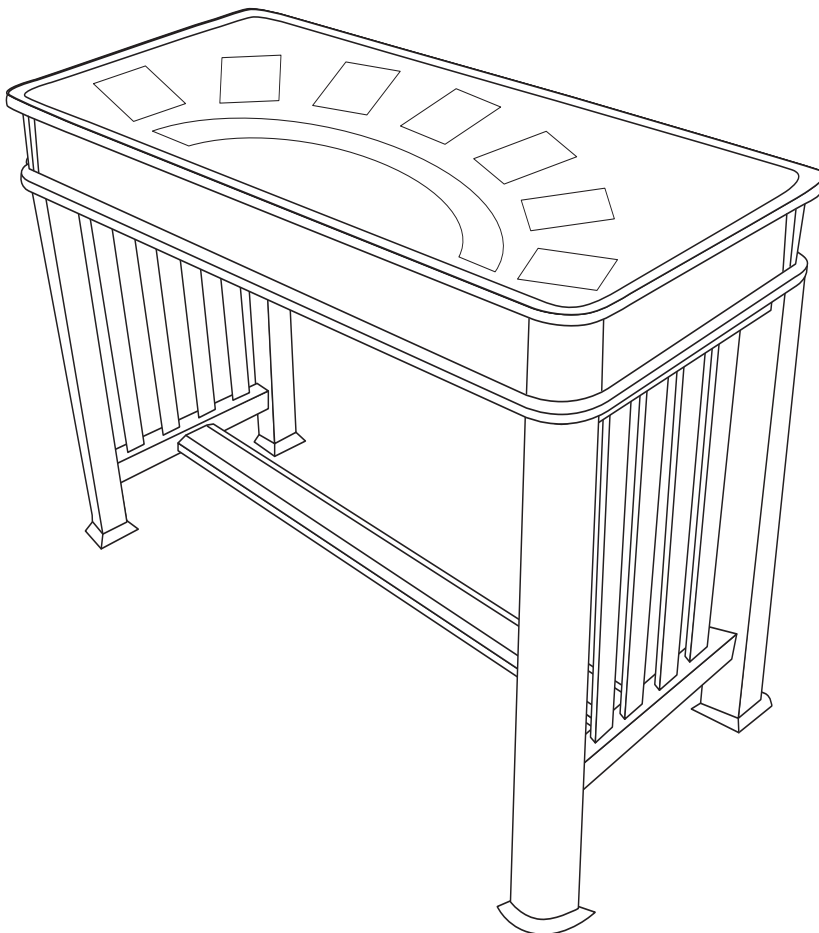
To secure the (#7) Craps Table Top, place the (#15) Washers over the ends of (#13) 2" Allen bolts. Insert the Allen Bolts into the predrilled holes in the underside of the pedestal rails and tighten with the (#14) Allen Wrench. You are now ready to play Craps!

## Step 4: Setting up Roulette



For Roulette, place the (#4) Roulette Table Top into the groove in the top of the (#7) Craps Table Top. Drop the (#6) Roulette Wheel into the opening and you are ready to play Roulette!

## Step 5: Setting up Blackjack



To play Blackjack, remove the (#4) Roulette Table Top and rest the (#20) Blackjack Table Top on the (#7) Craps Table Top. You are now ready to play Blackjack!

## **WARRANTY INFORMATION**

### **1 Year Warranty on 4-in-1 Casino Table**

Manufacturer warrants to the original retail purchaser, this product to be free from defects in material and workmanship for a period of one (1) year from the date of purchase.

Cloth not included in warranty. Should this product become defective due to material or workmanship within the warranty period, contact our Customer Service Department. This warranty is not transferable and does not cover normal wear and tear, or damage caused by improper handling, installation or use of this product. This warranty is also void if product is in any way abused, damaged or modified from its original state, or if used for other than indoor residential use. This warranty gives you specific legal rights and you may have other rights which vary from state to state.

### **DO NOT RETURN TO STORE**

**For all returns and warranty coverage, please call:**

**GLD Products**  
**1-800-225-7593**

Please provide model number, serial number and/or part number when you call. Numbers can be found on outside of packaging.

**GLD Products**  
S84 W19093 Enterprise Drive  
Muskego, WI 53150 USA  
800 225 7593 • FAX 800 841 6944  
Email: [gld@gldmfg.com](mailto:gld@gldmfg.com)