

Model # 64-0126

Easy Assembly Instructions & Rules

7-Foot Non-Slate Pool Table



DO NOT RETURN TO STORE.

**FOR ALL RETURNS AND WARRANTY
COVERAGE PLEASE CALL GLD
PRODUCTS:**

1-800-225-7593

Please provide model number, serial number, and/or part number of the product or part when you call. Numbers can be found on outside of packaging.



This manual is provided to instruct you during the assembly of your new Fat Cat™ 7-Foot Non-Slate Pool Table. Please refer to it as necessary. Be sure to have another person help you assemble the table.

Careful handling of all parts during assembly will ensure many years of enjoyment!

Recommended room size for the Fat Cat™ 7-Foot Non-Slate Pool Table is 13' 4" x 17' 0" minimum.

⚠ WARNING! Make sure table is assembled on the spot where you plan to keep it. Do not attempt to move table after it is assembled. Sliding the table may cause it to collapse! ⚠

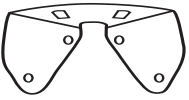
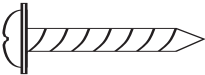
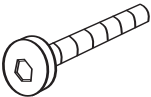
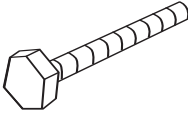
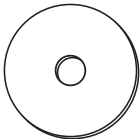
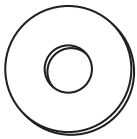
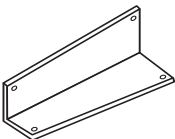
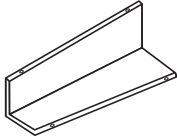


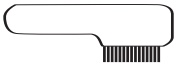
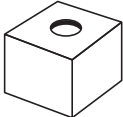
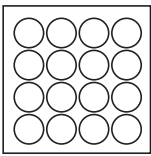
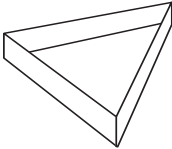
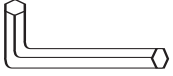
Tools & Unpacking

Assembly of the Fat Cat™ 7-Foot Non-Slate Pool Table requires the following common tools:

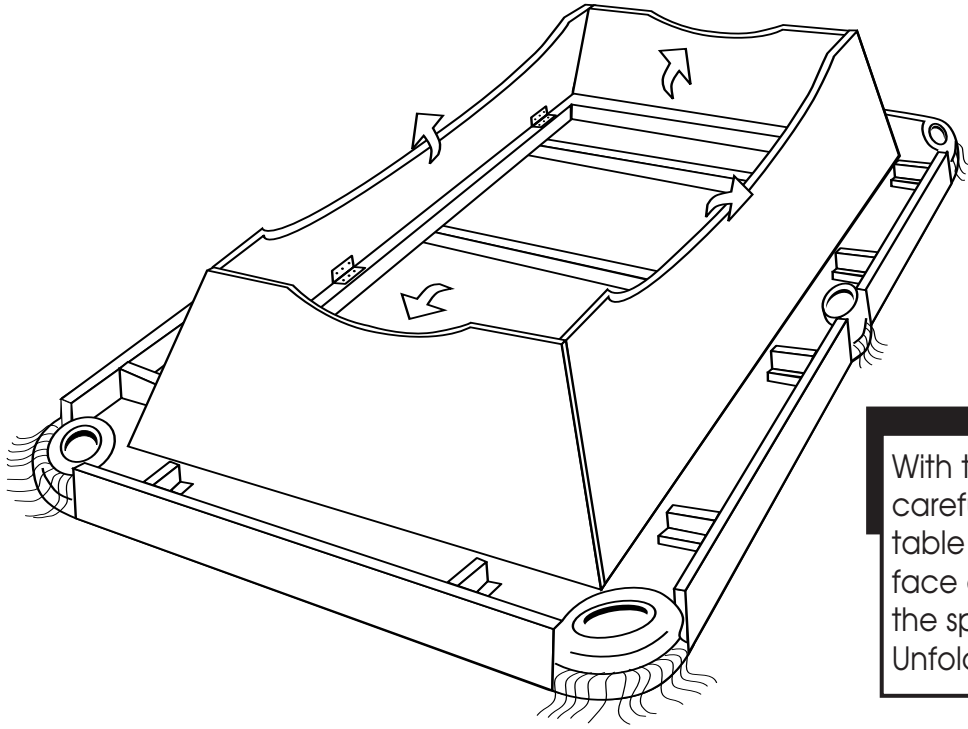
- Drill or screw gun with Phillips bit
- Scissors
- Tape measure
- Phillips screwdrivers
- Razor knife/Box cutter
- Socket wrench kit

⚠ PRO TIP ⚠ Arrange all of your tools before you begin assembly. Lay out parts in advance to easily follow the assembly instructions.

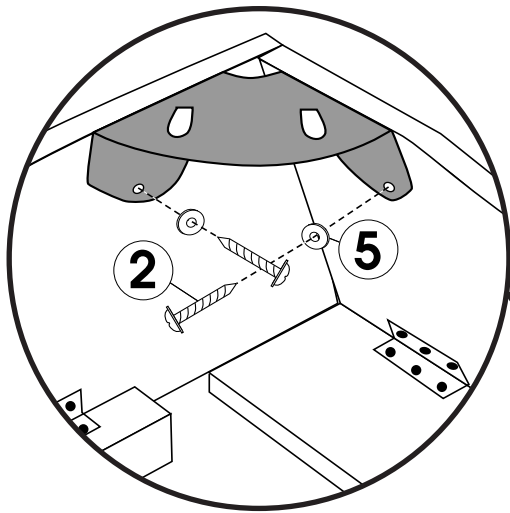
Fat Cat™ 7-Foot Non-Slate Pool Table Parts List

<p>#1.</p>  <p>Black Metal Corner Leg Brackets 4 pieces</p>	<p>#2.</p>  <p>5/8" Black Phillips Head Screw (16 pieces)</p>	<p>#3.</p>  <p>1-3/8" Allen Bolts 48 pieces</p>	<p>#4.</p>  <p>1-1/4" Hex Bolts (1/4" dia.) 8 pieces</p>	<p>#5.</p>  <p>1" Black Washers 16 pieces</p>
<p>#6.</p>  <p>3/8" x 1-1/4" Washers 8 Pieces</p>	<p>#7.</p>  <p>Table Leg A 4 pieces</p>	<p>#8.</p>  <p>Table Leg B 4 pieces</p>	<p>#9.</p>  <p>6-1/4" Wood Leg Support 4 pieces</p>	<p>#10.</p>  <p>4-7/8" Black Leg Base 4 pieces</p>
<p>#11.</p>  <p>1 Table Brush</p>	<p>#12.</p>  <p>Chalk 2 Pieces</p>	<p>#13.</p>  <p>Billiard Balls 1 Set</p>	<p>#14.</p>  <p>Triangle</p>	<p>#15.</p>  <p>Allen Wrench</p>

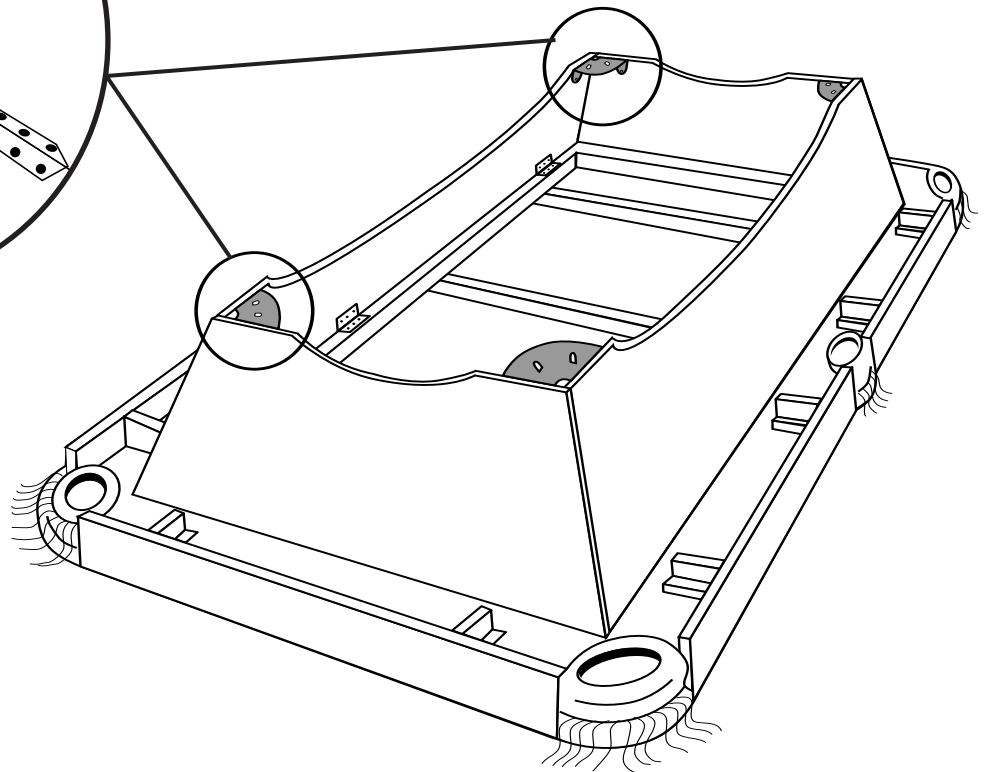
Step 1: Assembling the Apron



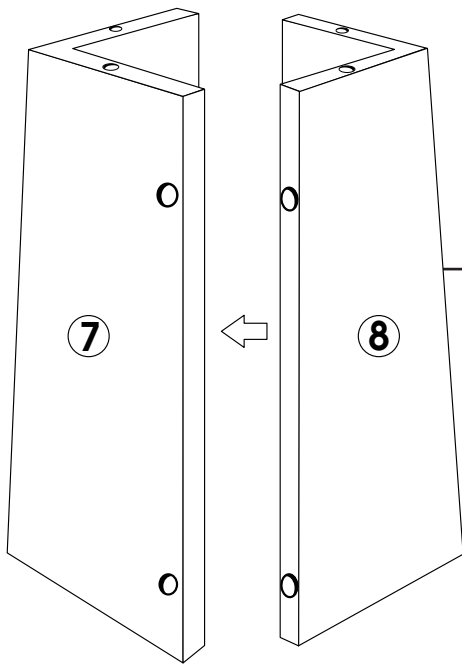
With the help of another person, carefully remove pre-assembled table top from carton. Place it face down on a flat surface in the spot you plan to keep it. Unfold the sides of the apron.



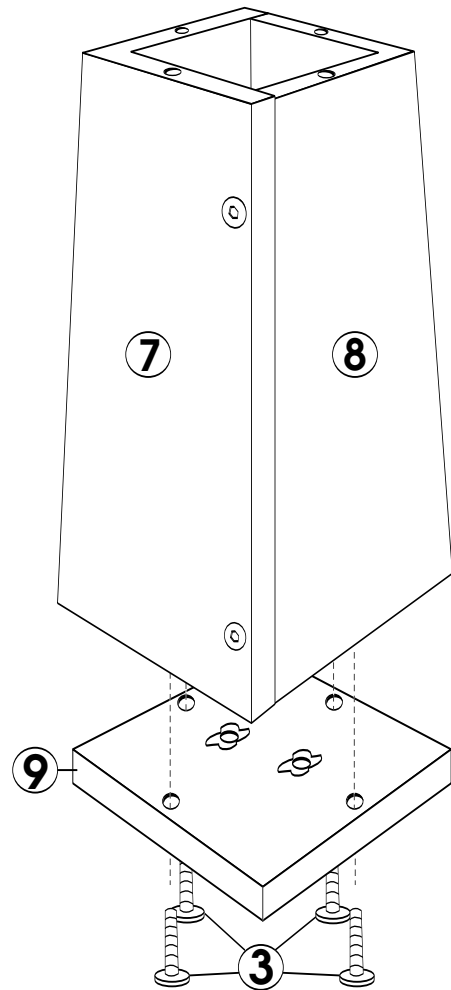
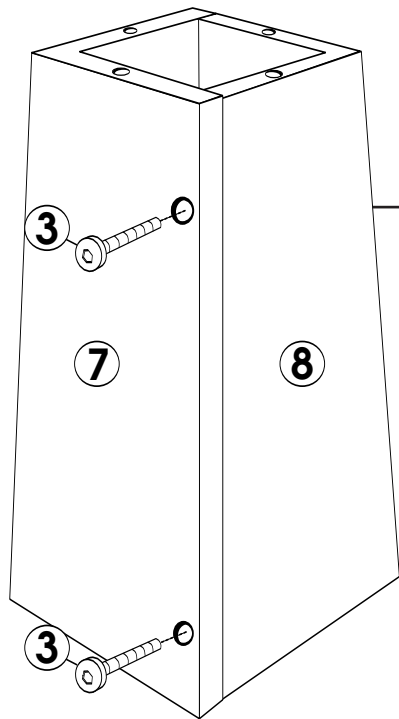
Attach a Black Metal Corner Bracket (#1) to each inside corner of the apron with the 5/8" Black Phillips Head Screws (#2) and the (#5) Black Washers. Repeat for all corners.



Step 2: Assembling the Legs

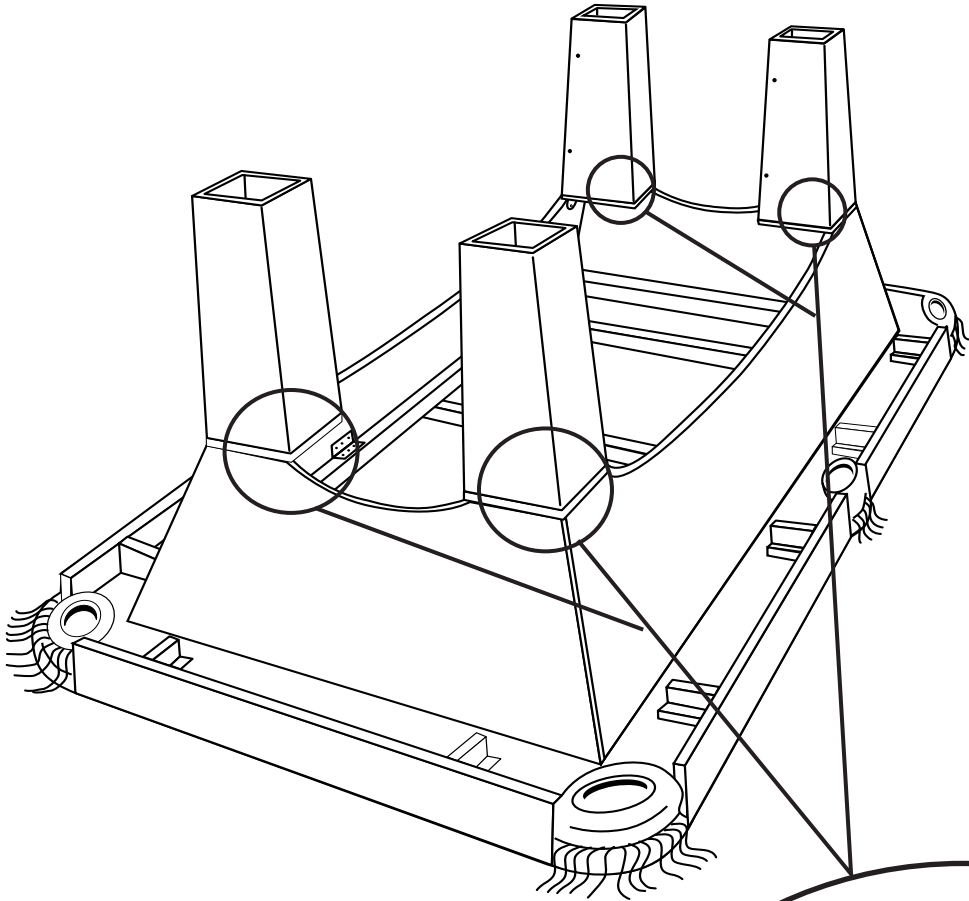


Take a Table Leg A section (# 7) and align the holes to those in a Table Leg B section (#8). Fasten them together using the provided Allen Wrench (#15), and the 1-3/8" (#3) Allen Bolts. Repeat for all 4 legs.

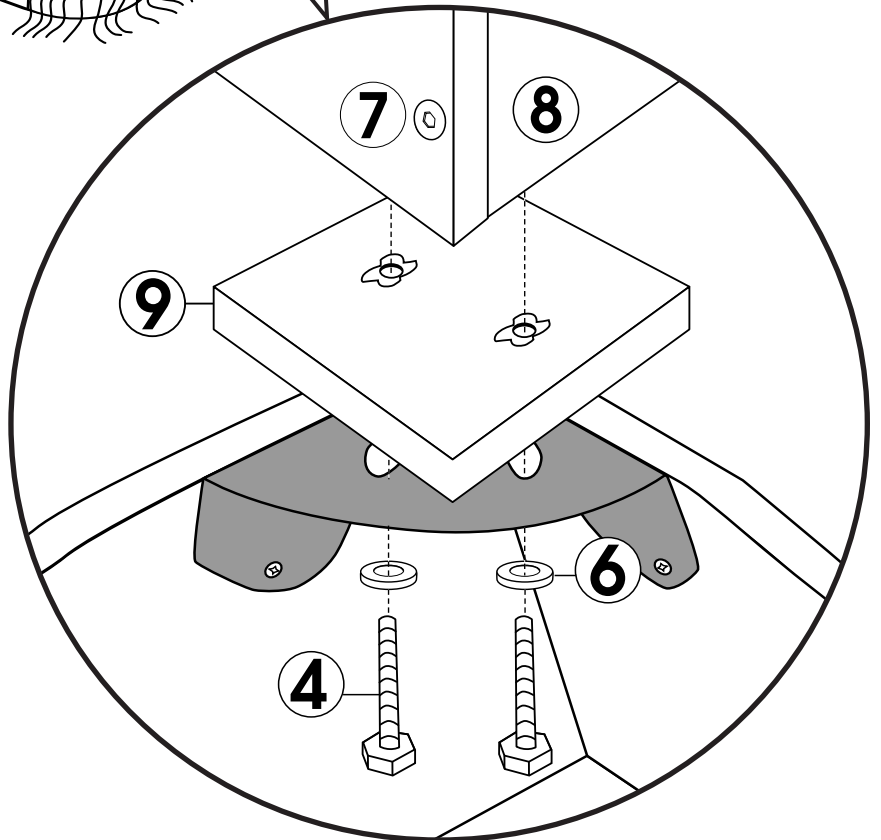


Attach the Wood Leg Supports (#9) to each leg assembly using the 1-3/8" (#3) Allen Bolts.

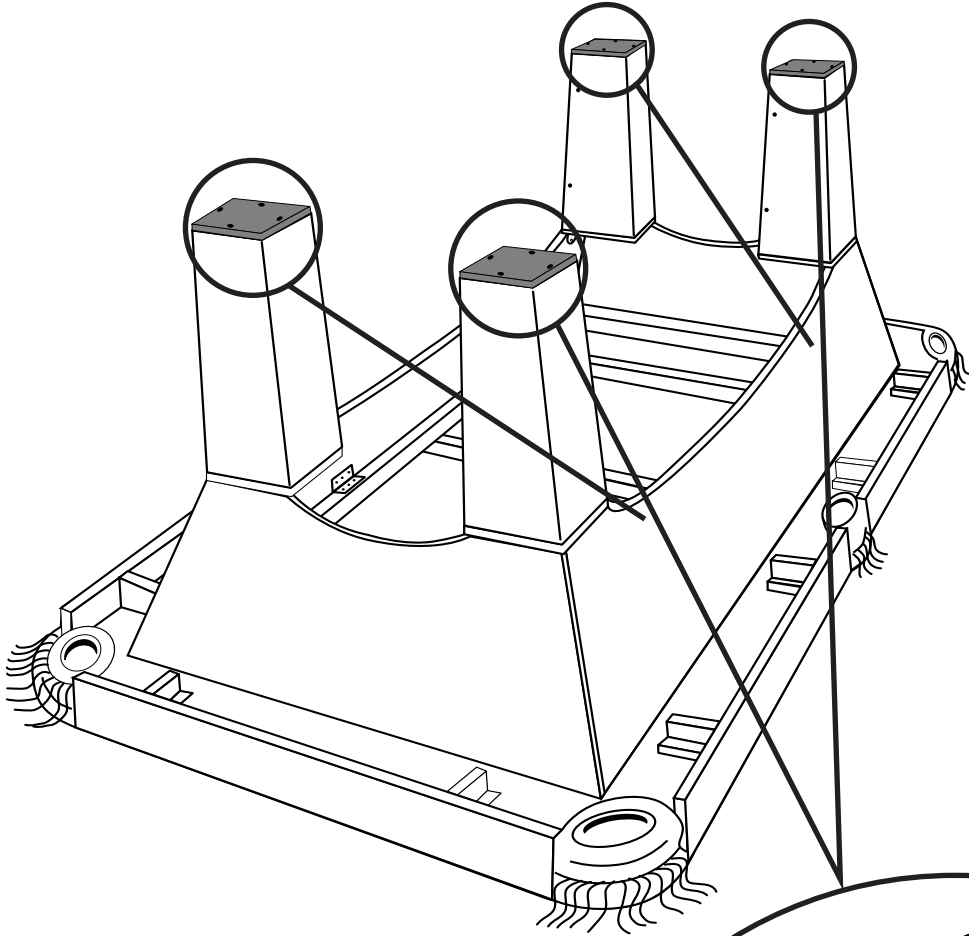
Step 2: Attaching the Legs



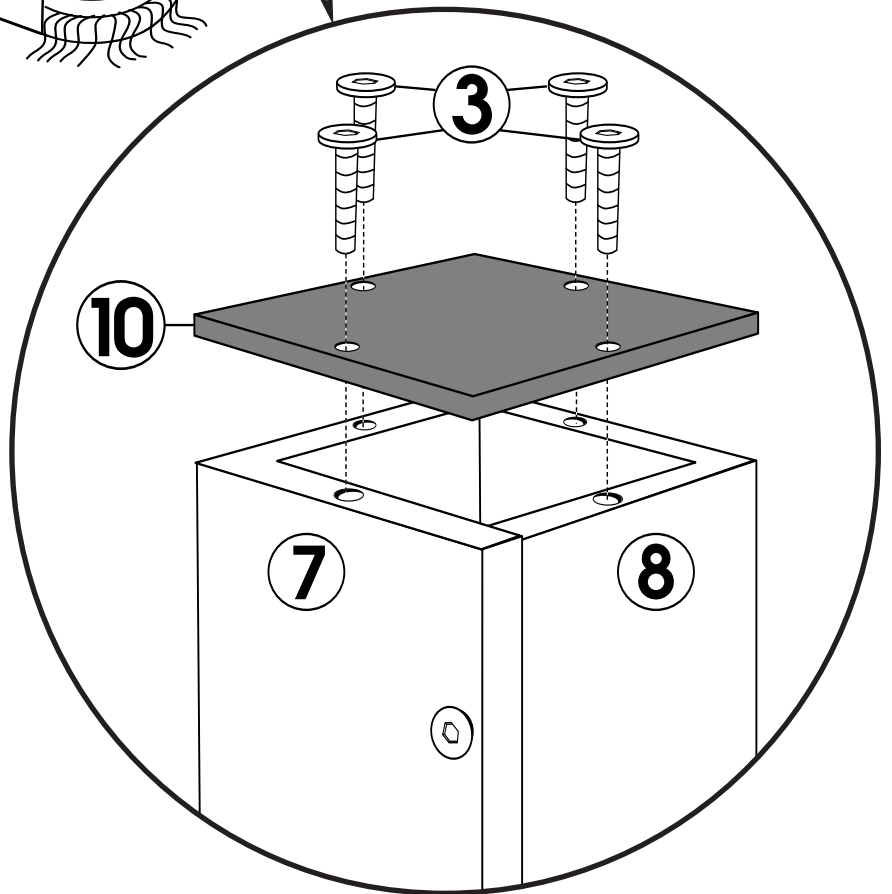
Working from the underside of the Black Corner Brackets, secure each leg assembly using your socket wrench and the 1-1/4" (#4) Hex Bolts and 1-1/4" (#6) Washers.



Step 2: Attaching the Legs



Next, secure the Black Leg Bases (# 10) to the bottom of each leg using four 1-3/8" (#3) Allen Bolts.



Step 3: Flip table over



With the help of 3 more people, carefully turn the table upright and place in the exact spot it will remain. **DO NOT SLIDE TABLE INTO POSITION. IT WILL COLLAPSE!**

YOU ARE NOW READY TO PLAY!

WARRANTY INFORMATION

1 Year Warranty on 7-Foot Non-Slate Pool Table

Manufacturer warrants to the original retail purchaser, this product to be free from defects in material and workmanship for a period of one (1) year from the date of purchase.

Cloth not included in warranty. Should this product become defective due to material or workmanship within the warranty period, contact our Customer Service Department. This warranty is not transferable and does not cover normal wear and tear, or damage caused by improper handling, installation or use of this product. This warranty is also void if product is in any way abused, damaged or modified from its original state, or if used for other than indoor residential use. This warranty gives you specific legal rights and you may have other rights which vary from state to state.

DO NOT RETURN TO STORE

For all returns and warranty coverage, please call:

GLD Products
1-800-225-7593

Please provide model number, serial number and/or part number when you call. Numbers can be found on outside of packaging.

GLD Products
S84 W19093 Enterprise Drive
Muskego, WI 53150 USA
800 225 7593 • FAX 800 841 6944
Email: gld@gldmfg.com