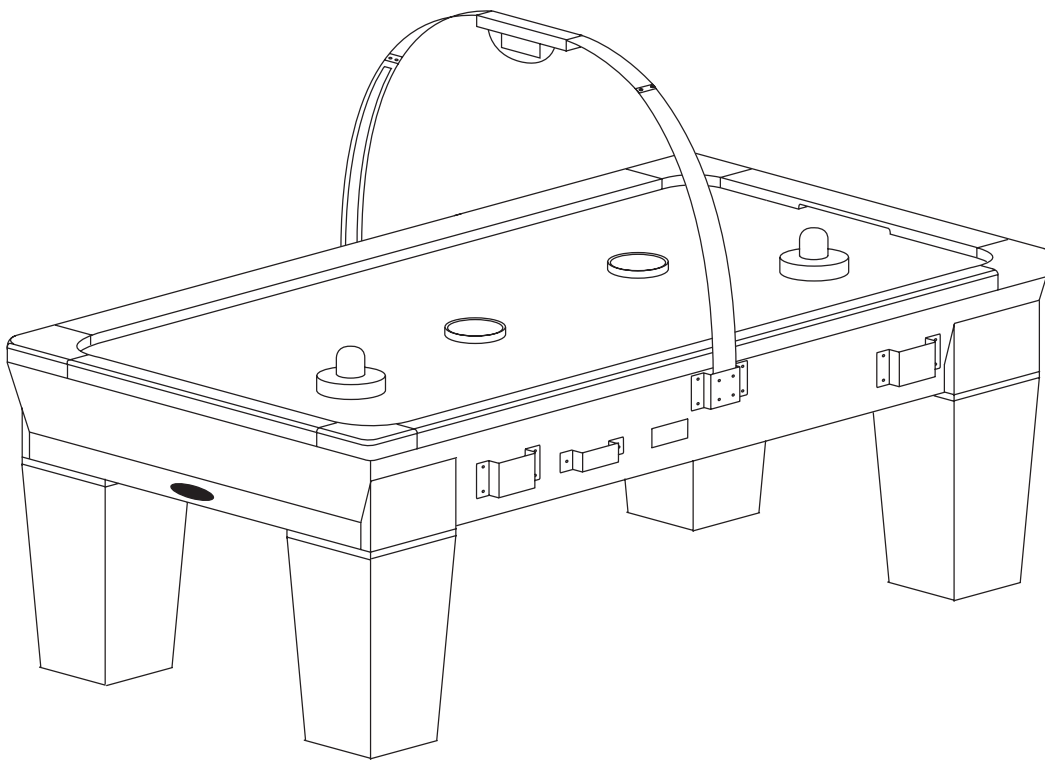




Montreal Air Hockey Table

Item 64-3005

MONTREAL 84" AIR HOCKEY TABLE

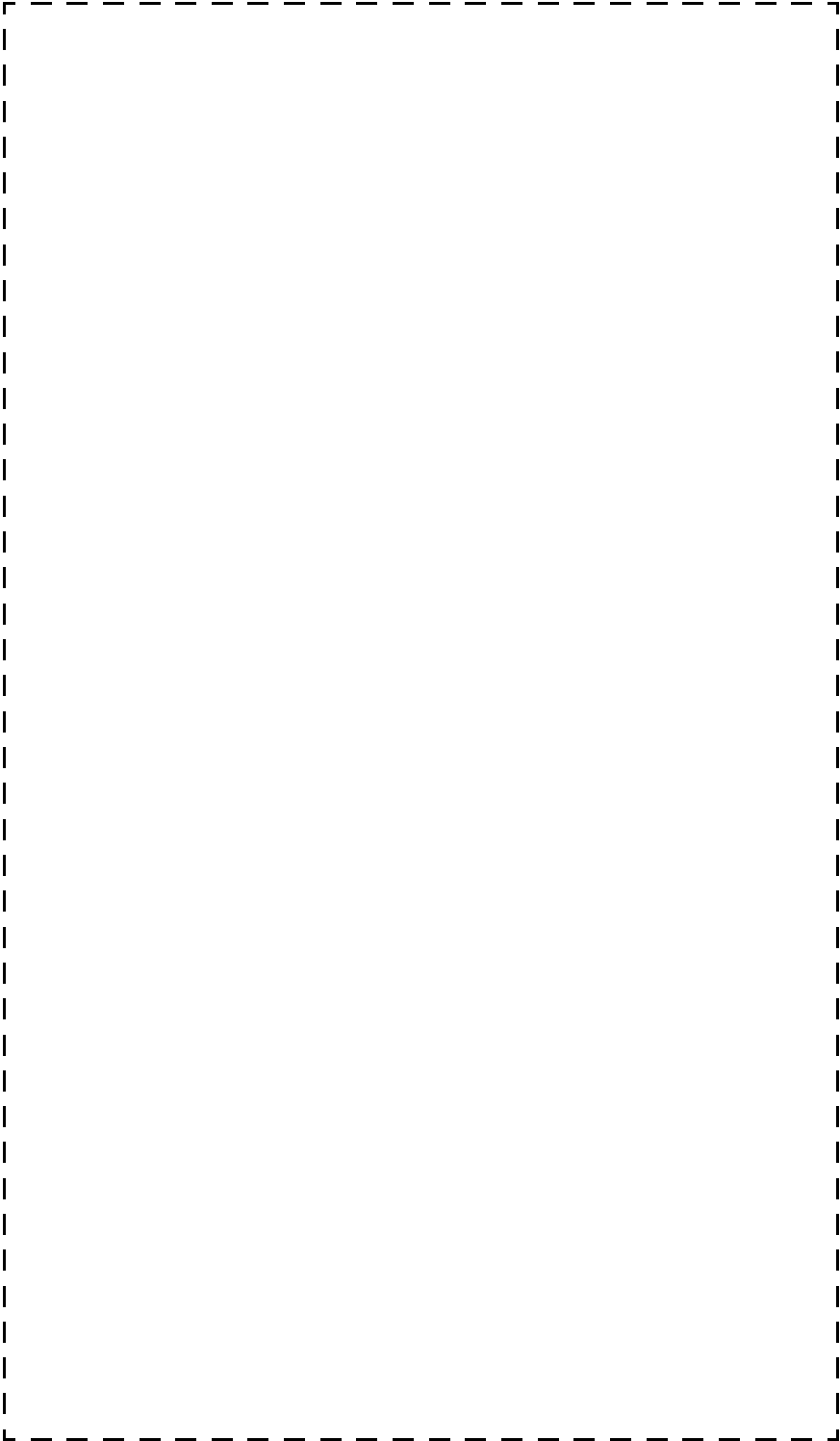


Replacement Parts

Order direct at www.gldproducts.com
or call our Customer Service department at
(800) 225-7593
8 am to 5 pm Central Standard Time

Staple your receipt here.

Important: A copy of your receipt will be needed to activate your warranty (see page 17).



Congratulations and THANK YOU for purchasing the Montreal 84" Air Hockey Table. You have chosen a product that should provide years of entertainment. To assist you with customer service and warranty claims, staple your receipt to the inside cover, then keep this manual in a safe place for future reference.

GLD Products

S84 W19093 Enterprise Drive
Muskego, WI 53150 USA
1-800-225-7593
Fax: 1-800-841-6944
Email: gld@gldmfg.com
Web: www.gldproducts.com



Place your package near the location where it will be used. Carefully unpack all components and verify you have all the correct pieces.

If you notice missing or defective parts, please call us at:
1-800-225-7593.

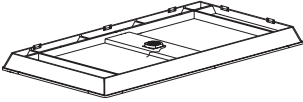

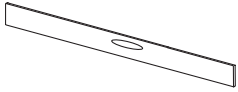


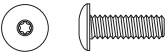

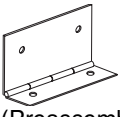
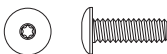
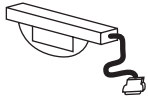

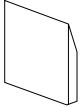

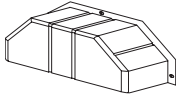
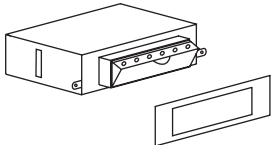



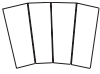




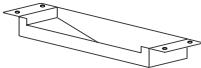
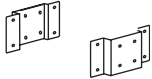
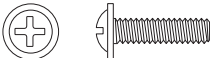
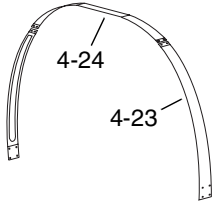
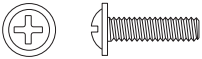


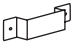
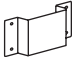
Please read and understand all instructions before beginning assembly.

This assembly will require 2 adults.

This product is not for use by children without adult supervision.

Parts Identifier

Part No./ Qty	Illustration/ Order Number	Part No./ Qty	Illustration/ Order Number	Part No./ Qty	Illustration/ Order Number
1 Qty. 1	 Table Top Assembly Order No. 4-1	2 Qty. 4	 Inside Leg Order No. 4-2	3 Qty. 2	 End Cabinet Apron Order No. 4-3
4 Qty. 2	 Side Cabinet Apron Order No. 4-4	5 Qty. 30	 3.5 x 12 mm Phillips Washer Head Screw Order No. 4-5	6 Qty. 16	 8 x 30 mm Allen Head Bolt Order No. 4-6
7 Qty. 16	 22 mm Washer Order No. 4-7	8 Qty. 10	 Hinge (Preassembled) Order No. 4-8	9 Qty. 4	 8 x 40 mm Allen Head Bolt Order No. 4-9
10 Qty. 1	 LCD Score Keeper Order No. 4-10	11 Qty. 1	 Air Motor (Preassembled) Order No. 4-11	12 Qty. 4	 Apron Trim Block Order No. 4-12
13 Qty. 6	 3.5 x 10.5 mm Washer Head Screw Order No. 4-13	14 Qty. 2	 Puck Catcher Order No. 4-14	15 Qty. 1	 Control Box (Preassembled) Order No. 4-15 Face Plate (Preassembled) Order No. 4-16
16 Qty. 2	 Goalie Order No. 4-17	17 Qty. 4	 Puck Order No. 4-18	18 Qty. 1	 Allen Wrench Order No. 4-19
19 Qty. 4	 Leg Sleeve Order No. 4-20	20 Qty. 4	 Leg Top Cap Order No. 4-21	21 Qty. 4	 Leg Bottom Cap Order No. 4-22

<p>22</p>  <p>Qty. 2</p> <p>Goal (Preassembled) Order No. 4-29</p>	<p>23</p>  <p>Qty. 2</p> <p>Bracket Order No. 4-27</p>	<p>24</p>  <p>Qty. 8</p> <p>4 x 25 mm Washer Head Bolt Order No. 4-25</p>
<p>25</p>  <p>Qty. 1</p> <p>Score Keeper Support Sides Order No. 4-23 Score Keeper Support Top Order No. 4-24</p>	<p>26</p>  <p>Qty. 13</p> <p>4 x 10 mm Washer Head Bolt Order No. 4-28</p>	<p>27</p>  <p>Qty. 8</p> <p>4 x 18 mm Washer Head Screw Order No. 4-26</p>
<p>28</p>  <p>Qty. 2</p> <p>3.5 x 14 mm Washer Head Screw Order No. 4-30</p>	<p>29</p>  <p>Qty. 1</p> <p>Puck Holder Order No. 4-31</p>	<p>30</p>  <p>Qty. 2</p> <p>Goalie Holder Order No. 4-32</p>

IF YOU HAVE A WARRANTY CLAIM, CALL US FIRST

Refer to page 17.

GLD Products

Available 8 am to 5 pm Central Standard Time

S84 W19093 Enterprise Drive
Muskego, WI 53150 USA

1-800-225-7593

Fax: 1-800-841-6944

Email: gld@gldmfg.com

Web: www.gldproducts.com

For all claims, please have your receipt and item number when you call. The product item number can be found on the front cover.

If you are instructed to return the product for service, you are responsible for shipping the unit at your expense.

PRODUCT REGISTRATION

Important: The product registration form on page 19 and a copy of your receipt must be completed and returned within 10 days of purchase to validate your warranty.

Preparing for Assembly

- Be sure to unpack all of the parts included in this package. Some parts may be in obscure locations of the packaging. Check inside any tubes or sleeves. Save all packing material until the product is fully assembled and functional.
- Compare the parts in your package with the Parts Identifier description on pages 4 and 5.
- After unpacking large products, some disassembly may be required prior to beginning the assembly.
- Three "C" size batteries will be needed for the score keeper.

Tools Required

- Allen wrench (#18) - included with table
- Phillips screwdriver (not included)
- Level (not included)
- Electric screwdriver may be helpful. **CAUTION:** You must set at LOW TORQUE and use extreme caution because you could overtighten the hardware, strip the screws, or damage the table.

Assembly Tips

Make sure you understand the following before you begin to assemble your game table.

1. READ THIS MANUAL all the way through before beginning assembly.
2. When installing parts that have more than one bolt, start ALL bolts in that part by hand before tightening anything.
3. Some drawings or images in this manual may not look exactly like your product.
4. You will need a second adult to assist with this assembly.

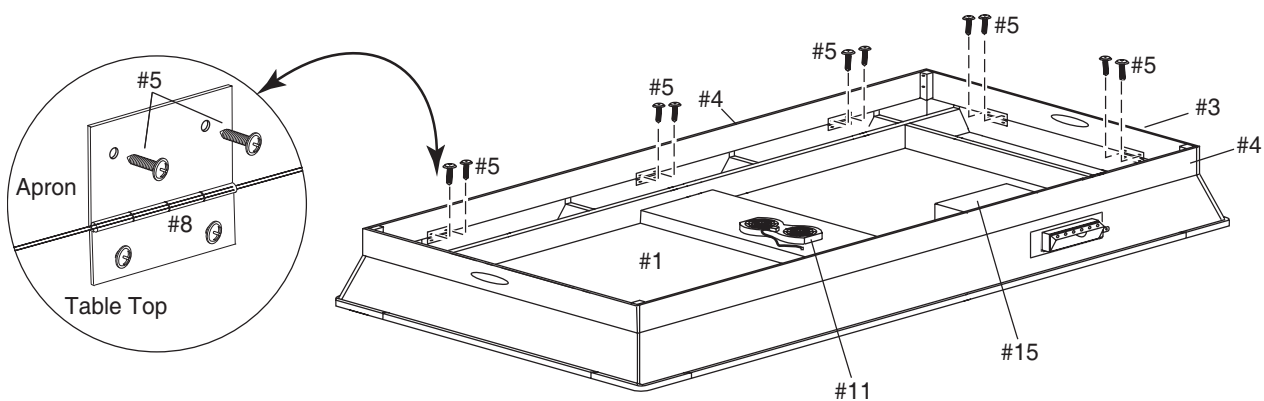
Note: Save all packing materials until the parts have been inspected and the table is assembled.

Unpack the Pieces

- Lay the box on a flat surface (floor). You may want this near your area of assembly.
- Unpack the boxes and part bags. Inspect and count the parts. The Parts Identifier page can be used to record your results.
- If any parts are damaged or missing contact GLD customer service.
- Missing fasteners may be purchased at a hardware store using the descriptions on the Parts Identifier page(s).

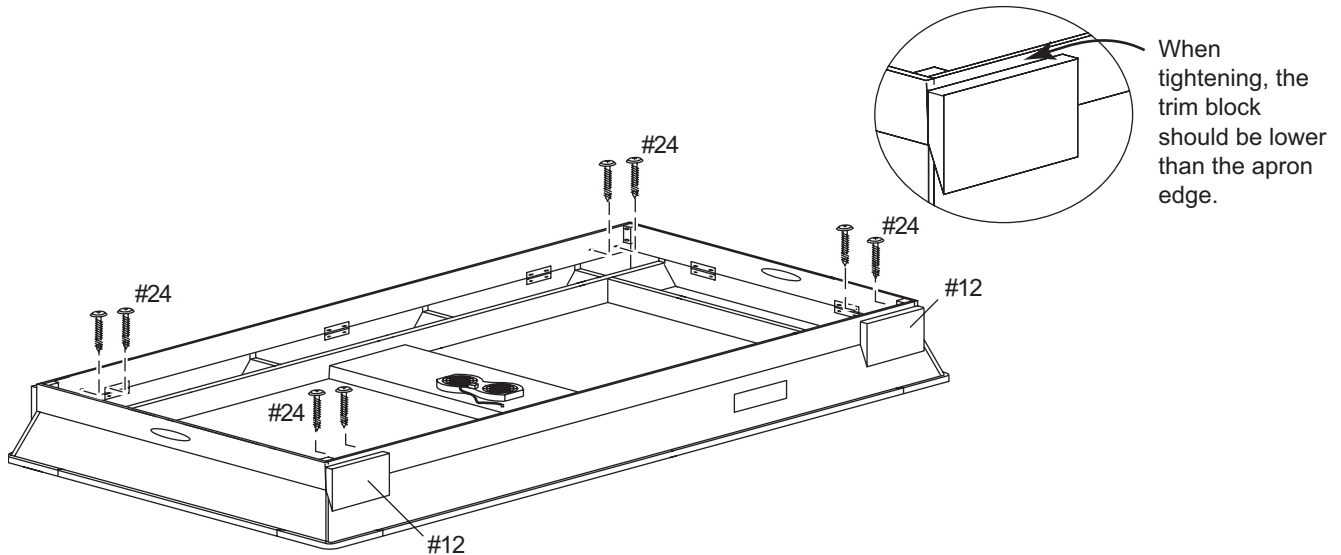
STEP 1 - ATTACH THE SIDE APRONS AND THE CONTROL BOX

1. Lay the table top (#1) bottom-side up, on the floor.
2. Select an end cabinet apron (#3) and hold it in place onto the table top assembly (#1) . Insert screws (#5) through the hinges (#8) and into the pre-drilled holes in the apron.
3. Tighten the screws using a Phillips head screwdriver.
4. Repeat for the other end cabinet apron and the two side cabinet aprons (#4).
5. Remove the battery box lid from the control box (#15). Insert 3 "C" size batteries. Resecure the battery box lid.



STEP 2 - ATTACH THE APRON TRIM BLOCKS

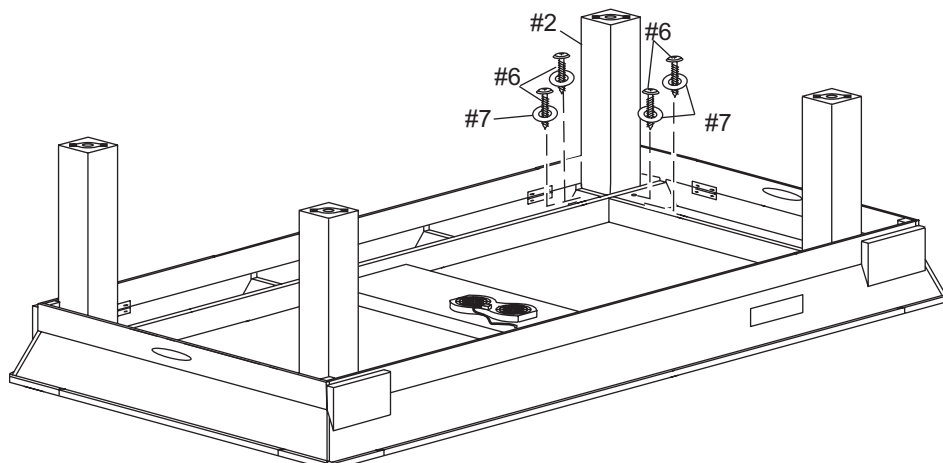
1. Hold the trim block (#12) in position and start the two bolts (#24).
2. Before tightening the bolts, position the trim block to provide a good visual fit. It is important that the trim block is lower than the bottom edge of the side by approximately 1/4-inch.
3. Tighten the bolts using a Phillips screwdriver.
4. Repeat for the other three trim blocks.



STEP 3 - ATTACH THE LEGS

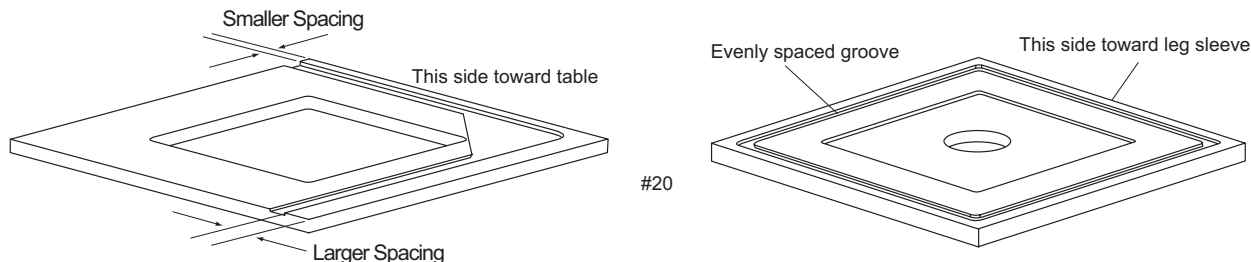
Each leg (#2) is attached using four bolts (#6) with washers (#7). The leg has four bolt holes that allow it to be installed in any corner.

1. Position leg. Insert bolts (#6) with washers (#7).
2. Tighten all the bolts using the allen wrench (#18).
3. Repeat for other three legs.

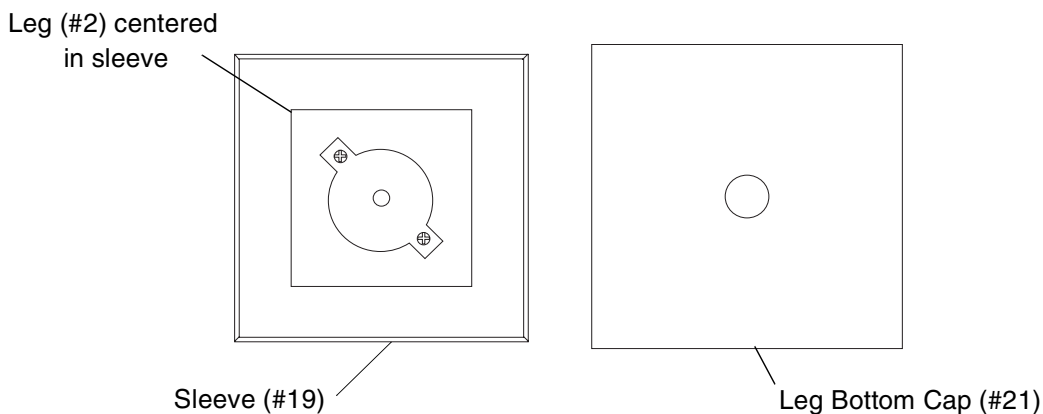


STEP 4 - ASSEMBLE THE LEG SLEEVE WITH CAPS

The first piece is the leg top cap (#20). One side has two grooves that are unevenly spaced from the edges. The other side has a square groove.



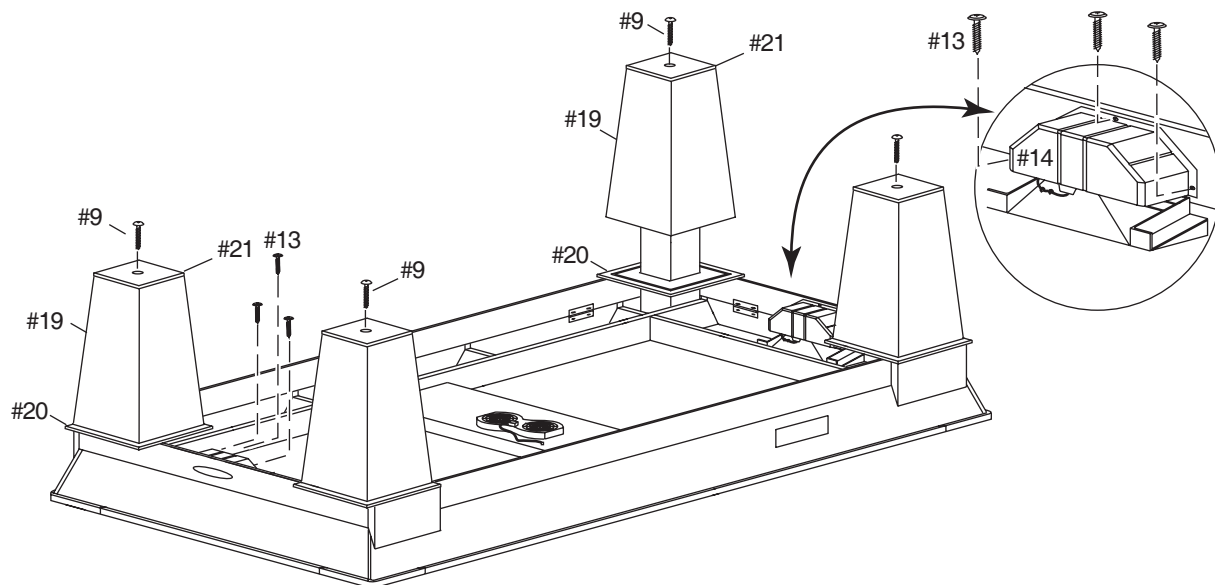
1. Place the leg top cap over the leg. The side that has the two grooves is toward the table top and the two grooves will fit over the edges of the aprons. The leg should be centered in the hole. The groove with the larger spacing will be positioned toward the side of the table and over the apron trim block.
2. Fold the leg sleeve (#19) (do not bend joints backward) into a square tube and place in position. The sleeve goes over the leg and fits into the groove in the leg top cap (#20).



The leg bottom cap (#21) fits on top of the leg and sleeve. The cap has a square groove that the leg sleeve fits into. When the sleeve is in place the leg will be centered.

3. Place the leg bottom cap onto the sleeve.

4. Through the center hole of the leg bottom cap, look at the threaded hole in the metal plate. The threaded hole should be centered in the bottom leg cap hole. If it is not visible, then the leg and caps have been improperly assembled. Fix the assembly before going to the next step.
5. The leg can be moved a small amount to help center the threaded hole. Insert bolt (#9) and tighten.
6. When the bottom leg cap is secured, the leg sleeve should be held in place by the top and bottom leg caps.



7. Repeat for other three legs.

STEP 5 - INSTALL THE PUCK CATCHER

1. Install a puck catcher (#14) at each end. Use three screws (#13) to secure them to the end aprons.

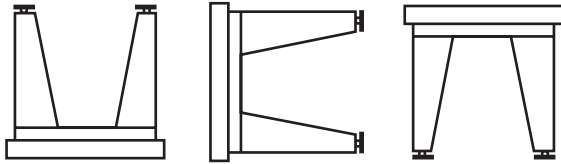
STEP 6 - TURN THE TABLE OVER

The table is ready to be turned over.

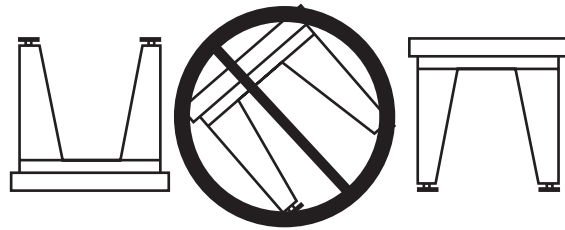
USE AT LEAST TWO PEOPLE TO LIFT THE TABLE ASSEMBLY AND TURN IT OVER TO REST ON THE LEGS.

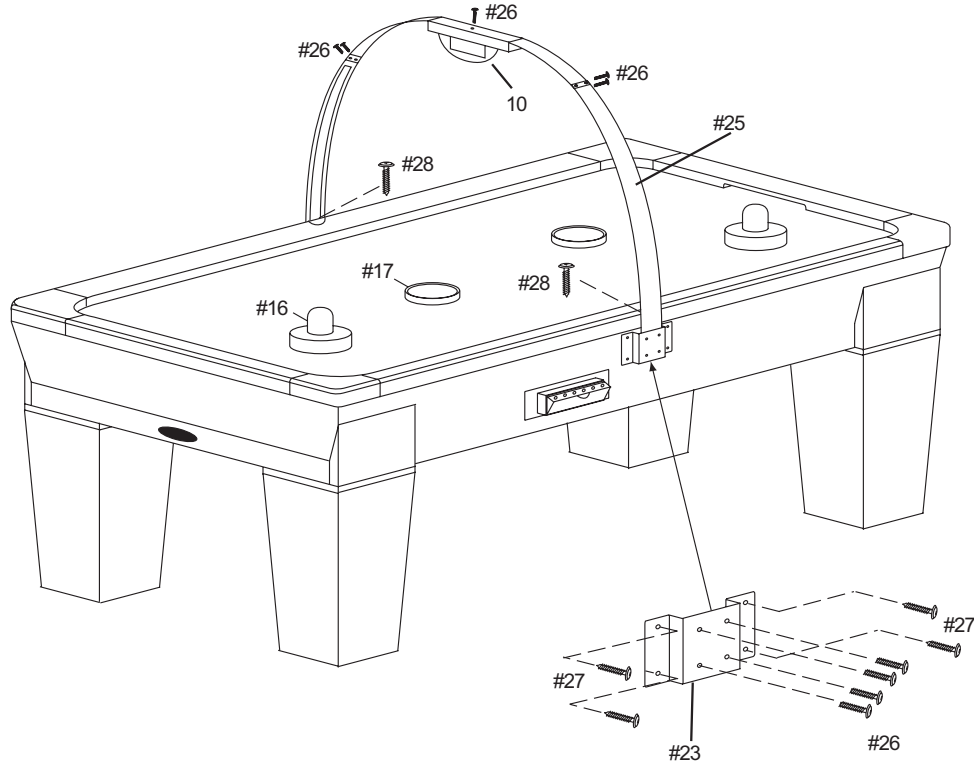
DO NOT ROLL THE TABLE OVER. This will place a sideways force on the legs. The legs should be off the floor until the table assembly is rotated completely. Set the table down.

DO THIS



NOT THIS



STEP 7 - INSTALL THE SCORE KEEPER

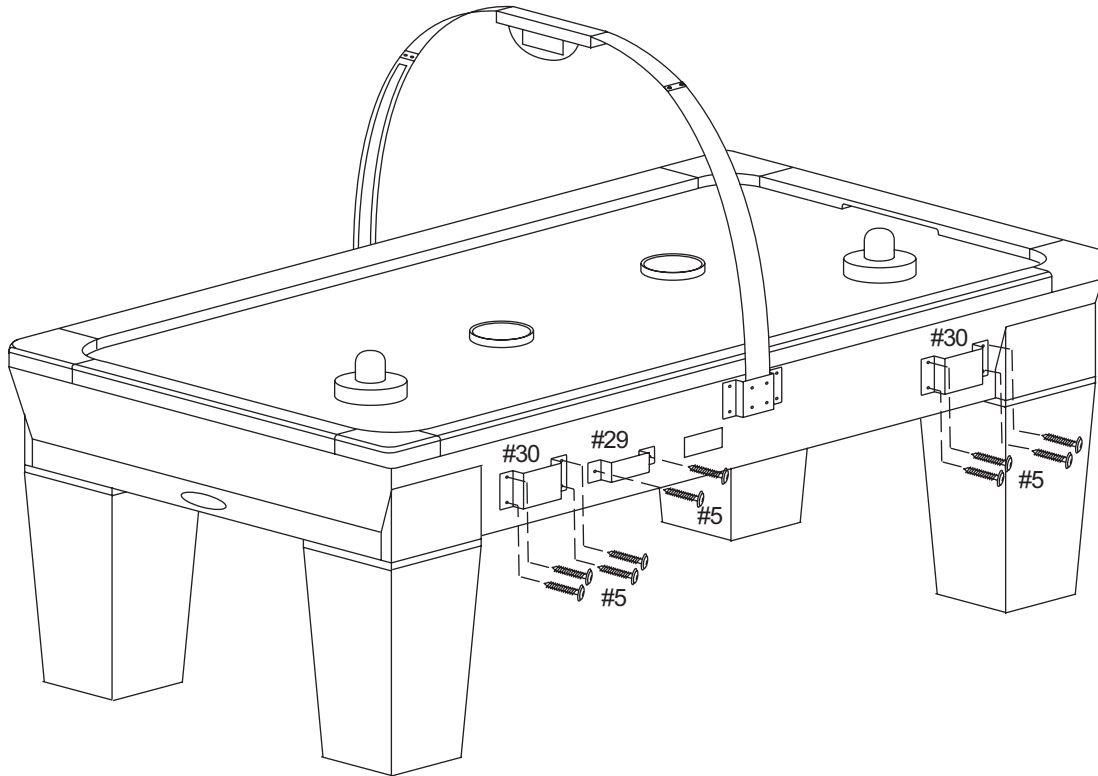
1. The flexible score keeper support (#25) is attached to the sides of the table using a bracket (#23). Screw the two brackets to the table using 4 screws (#27) each. Leave the screws loose.
2. Layout the three pieces of the score keeper support.
3. The center section of the score keeper support is secured to the two end sections using bolts (#26) at each connection. Hold the center section in place. Insert the two bolts (#26) and tighten.
4. Place the LCD score keeper (#10) in position. Insert the wire into the channel on the underside of the support. Push it through until it comes out the end of the support that is near the control box. Secure with bolt (#26). Do not overtighten.

Use two people for the next steps.

5. Take the end of the support that has the electrical connector. Insert this end into the bracket that is on the same side as the control box. The electrical connection is inserted into a hole in the table. Plug it into the control box.
6. Use bolts (#26) and secure the support to the bracket. Then tighten the screws holding the bracket. Insert screw (#28) at the top of the table and on the inside of the support. Tighten screws (#27 and #28) with the Phillips screwdriver.
7. Secure the other end of the score keeper support on the other side of the table.

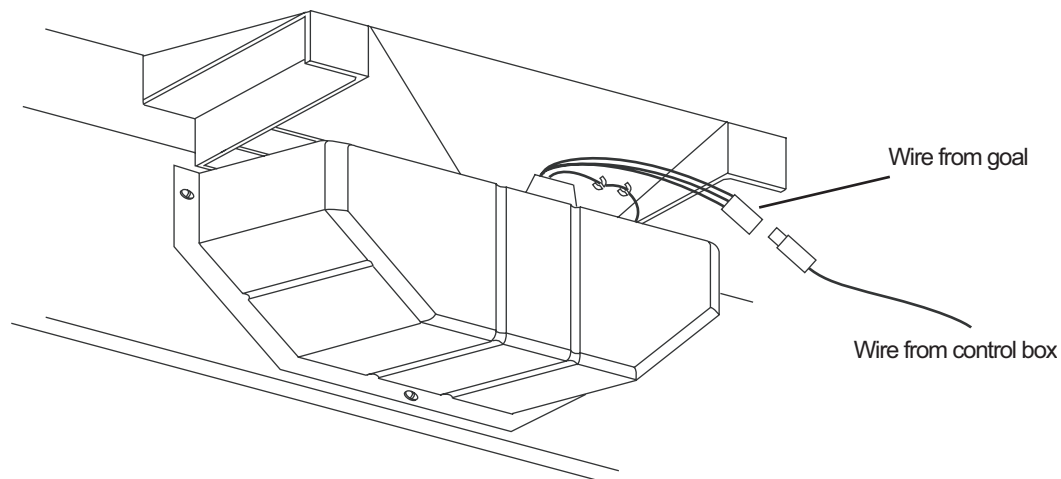
STEP 8 - INSTALL THE HOLDERS

1. Mount the two goalie holders (#30) and the puck holder (#29) to the side of the table using screws (#5) and a Phillips screwdriver.



STEP 9 - CONNECT THE WIRES

1. Wires from the goals plug into the side of the control box. The goal plugged into the rear socket will be goal "A".
2. Check that the overhead scorekeeper is plugged into the control unit.
3. Test the score keeping system by pressing the power button (batteries should have been installed in Step 1), then the start button.
4. Push a puck (#17) into a goal with the LCD score keeper turned on. The score will display as either A or B. The two wires plugged into the control box can be switched to reverse the display.



5. The underside of the table has holes in the cross bracing. The wires can be placed through the holes. This protects the wiring.
6. Route the plug for the fan through the hole in the side apron.

STEP 10 - LEVEL THE TABLE

1. Place the table in position.
2. Use a carpenters level to find the low side of the table.
3. Place shims under the table legs as necessary to level the table.
4. Level the table side-to-side and end-to-end. When the game is turned on, the puck will float to a low side. Final leveling can be performed if needed.

Care and Use of your Table

- This product is intended for INDOOR use only.
- DO NOT sit, climb, or lean on the table.
- DO NOT drag the table when moving it. This will damage the legs.
- Keep your table covered. The playing surface can be lightly vacuumed with low suction.
- DO NOT spray cleaners directly onto the table. Spray onto a cloth first. Then wipe surfaces to clean.
- The air holes may become plugged, causing the puck to drag. A small drill bit can be used to re-open the holes. DO NOT use a power drill. Instead, hold the drill bit in your fingers and clear the holes.
- Pucks that fly off the table may have chipped edges. Inspect the puck and replace if needed.

90-DAY LIMITED WARRANTY

The Manufacturer warrants to the original retail purchaser that this product is free from defects in material and workmanship under normal use and conditions for a period of ninety (90) days from the date of original purchase. The Manufacturer's liability is limited to the repair or replacement, at its option, of any defective product and shall not include any liability for indirect, incidental or consequential damages of any kind.

Should this product become defective due to material or workmanship within the warranty period, contact our Customer Service Department. This warranty is not transferable and does not cover normal wear and tear or damage caused by improper usage, negligence, misuse, abuse, transportation damage, acts of nature, or accident (including failure to follow the instructions in this manual). It does not cover expendable items such as batteries, light bulbs, fuses, accessories, cosmetic parts and other items that wear out due to normal usage, including areas of the playing surface. This warranty is also void if the product is disassembled and reassembled, damaged, modified from its original state, or used for other than indoor personal residential use (no commercial or rental applications).

This warranty gives you specific legal rights, and you may have other rights which vary from state to state.

IF YOU HAVE A WARRANTY CLAIM, CALL US FIRST (8 - 5 CST)

Please have your receipt and item number (found on the front cover) when you call.

GLD Products

S84 W19093 Enterprise Drive
Muskego, WI 53150 USA
1-800-225-7593
Fax: 1-800-841-6944
Email: gld@gldmfg.com
Web: www.gldproducts.com

If you are instructed to return the product for service, you are responsible for shipping the unit at your expense to the above address in packaging that will protect against further damage. All warranty or repair requests require a Return Authorization Number prior to returning the item.

PRODUCT REGISTRATION

Important: The Product Registration form on page 19 must be completed and returned along with a copy of your receipt within 10 days of purchase to validate your warranty.

REGISTER YOUR PRODUCT

Place postage here

Complete this form, include a copy of your receipt, fold, tape (do not staple) and return within 10 days of purchase. This protects your warranty and will help us develop new products!

Cut here.

GLD Products
Warranty Department
S84 W19093 Enterprise Drive
Muskego, WI 53150 USA

Fold here second.



www.gldproducts.com

GAME TABLES	HOME CASINO
GAMES AND ACCESSORIES	BILLIARD CUES
BILLIARD ACCESSORIES	DARTBOARDS
SOFT-TIP DARTS	STEEL-TIP DARTS
FLIGHTS AND SHAFTS	DART CASES AND ACCESSORIES

Fold here first.

Name	Date of Purchase
Address	Phone-Day
City	Phone-Evening
State Zip	Email
Purchase Price:	Item: 64-3005 Montreal Air Hockey Table
Store Name:	

1. What are the top two reasons that influenced the purchase of this product? Select two.

<input type="checkbox"/>	Brand reputation	<input type="checkbox"/>	Prior experience with another GLD product
<input type="checkbox"/>	Saw in an advertisement	<input type="checkbox"/>	Color/appearance
<input type="checkbox"/>	Quality/durability	<input type="checkbox"/>	Other
<input type="checkbox"/>	Value for price		

2. How did you become aware of this product? Select two.

Saw in an advertisement
Saw or used a friend's or relative's
Received as a gift

Saw it in the store
Recommended by another person
Other

3. Rate your satisfaction with each of the following?

Assembly instructions
Ease of assembly
Packaging
Overall product satisfaction

Excellent	Good	Fair	Poor
<input type="checkbox"/>	<input type="checkbox"/>	<input type="checkbox"/>	<input type="checkbox"/>
<input type="checkbox"/>	<input type="checkbox"/>	<input type="checkbox"/>	<input type="checkbox"/>
<input type="checkbox"/>	<input type="checkbox"/>	<input type="checkbox"/>	<input type="checkbox"/>
<input type="checkbox"/>	<input type="checkbox"/>	<input type="checkbox"/>	<input type="checkbox"/>

4. Were there any parts missing?

Yes

No

If so, which ones?

Order No. _____

5. Based on your experience, would you buy another GLD product?

Yes

No

6. Is this the first GLD product that you've owned? If No, what other product have you owned?:

Yes

No

7. Have you owned products from:

Sportcraft

Harvard

Classic Sport

Other

8. When did you decide to purchase this product?

Before entering the store.

While in the store/impulse purchase

9. How many times per month will you use it?

1 to 3

4 to 8

9 to 15

16 +

10. Are you the intended user of this product?

Yes

No, indicate who: _____

11. Where will you use this product?

Home

Other: _____

12. Please tell us your gender?

Male

Female

13. And your marital status?

Married

Single

14. Age?

Under 25

25 - 40

40 - 60

Over 60

15. Which best describes your family income?

Under \$25,000

\$25,000 - \$49,999

\$50,000 - \$99,999

\$100,000 - 149,999

\$150,000 - \$199,999

Over \$200,000

16. Education:

Some high school

College degree

Completed high school

Graduate degree

Remember to attach a copy of your receipt.

Mail To: GLD Products
 S84 W19093 Enterprise Drive
 Muskego, WI 53150 USA
 1-800-225-7593 • FAX 800-841-6944
 Email: gld@gldmfg.com
 Web Site: www.gldproducts.com

Montreal Air Hockey Table

Item 64-3005

Parts Re-Order Form

Name		Date
Address		Phone-Day
City		Phone-Evening
State	Zip	Email

Order No.	Description	Unit Price	Qty.	Total Amount
4-1	Table Top Assembly	140.00		
4-2	Inside Leg	15.00		
4-3	End Cabinet Apron	10.00		
4-4	Side Cabinet Apron	13.00		
4-5	3.5 x 12 mm Phillips Washer Head Screw	1.00		
4-6	8 x 30 mm Allen Head Bolt	1.00		
4-7	22 mm Washer	1.00		
4-8	Hinge	2.00		
4-9	8 x 40 mm Allen Head Bolt	1.00		
4-10	LCD Score Keeper	25.00		
4-11	Air Motor	15.00		
4-12	Apron Trim Block	3.00		
4-13	3.5 x 10.5 mm Washer Head Screw	1.00		
4-14	Puck Catcher	2.00		
4-15	Control Box	25.00		
4-16	Face Plate	5.00		
4-17	Goalie	2.00		
4-18	Puck	1.00		
4-19	Allen Wrench	1.00		
4-20	Leg Sleeve	8.00		
4-21	Leg Top Cap	5.00		
4-22	Leg Bottom Cap	5.00		
4-23	Score Keeper Support Sides	10.00		
4-24	Score Keeper Support Top	5.00		
4-25	4 x 25 mm Phillips Washer Head Bolt	1.00		
4-26	4 x 18 mm Washer Head Screw	1.00		
4-27	Support Bracket	3.00		
4-28	4 x 10 mm Washer Head Bolt	1.00		
4-29	Goal	5.00		
4-30	3.5 x 14 mm Washer Head Screw	1.00		
4-31	Puck Holder	3.00		
4-32	Goalie Holder	3.00		
		Subtotal		
Shipping will be added. If paid by Check or Money Order, call for quote.		S/H		
5.1% Waukesha Wisconsin tax will apply (subject to change).		Tax		
		Total		

Method of Payment

_____ Check or Money Order

_____ Credit Card

_____ Visa _____ MasterCard _____ Discover _____ American Express

Card # _____

Security Code # _____ Billing Address Zipcode _____

Signature _____ Exp. Date _____

Shipping Address

Name _____

Address _____ Phone _____

City _____ State _____ Zip _____



www.gldproducts.com

GAME TABLES

HOME CASINO

GAMES AND ACCESSORIES

BILLIARD CUES

BILLIARD ACCESSORIES

DARTBOARDS

SOFT-TIP DARTS

STEEL-TIP DARTS

FLIGHTS AND SHAFTS

DART CASES AND ACCESSORIES



PROUD MANUFACTURER OF



S84 W19093 Enterprise Drive • Muskego, WI 53150 USA
262.679.8730 or 1.800.225.7593 tele
262.679.8738 or 1.800.841.6944 fax
262.679.8739 international fax
Email: gld@gldmfg.com
www.gldproducts.com