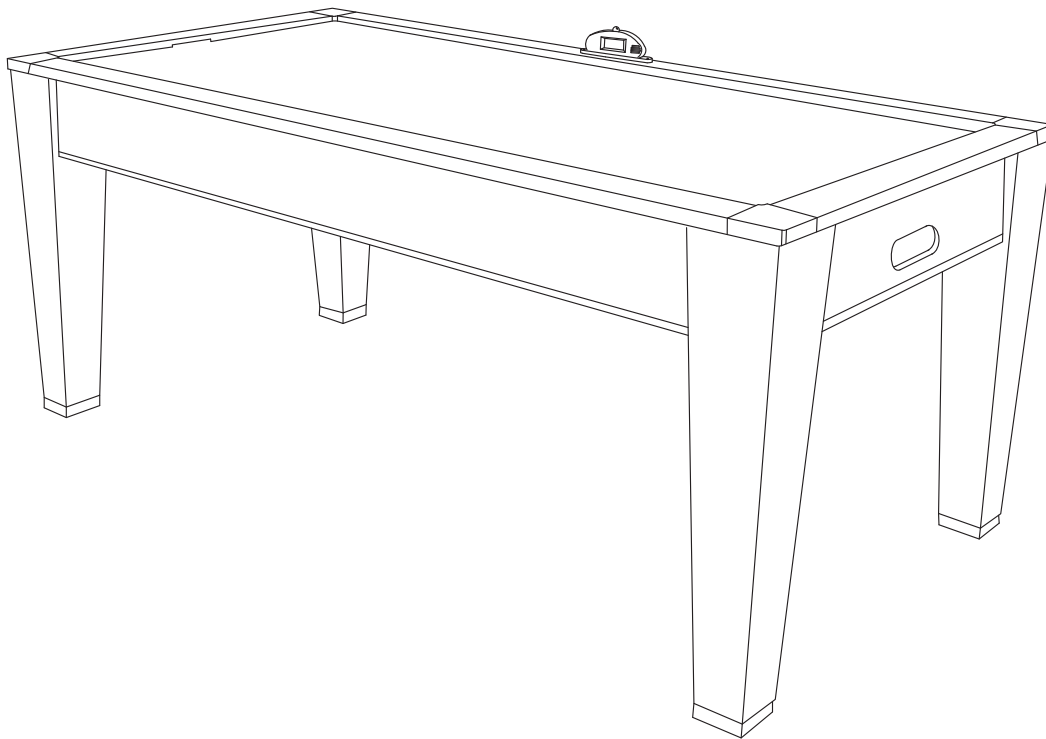


# CALGARY 7 FOOT AIR POWERED HOCKEY TABLE



## Replacement Parts

Order direct at [www.gldproducts.com](http://www.gldproducts.com)  
or call our Customer Service department at  
**(800) 225-7593**  
8 am to 4:30 pm Central Standard Time

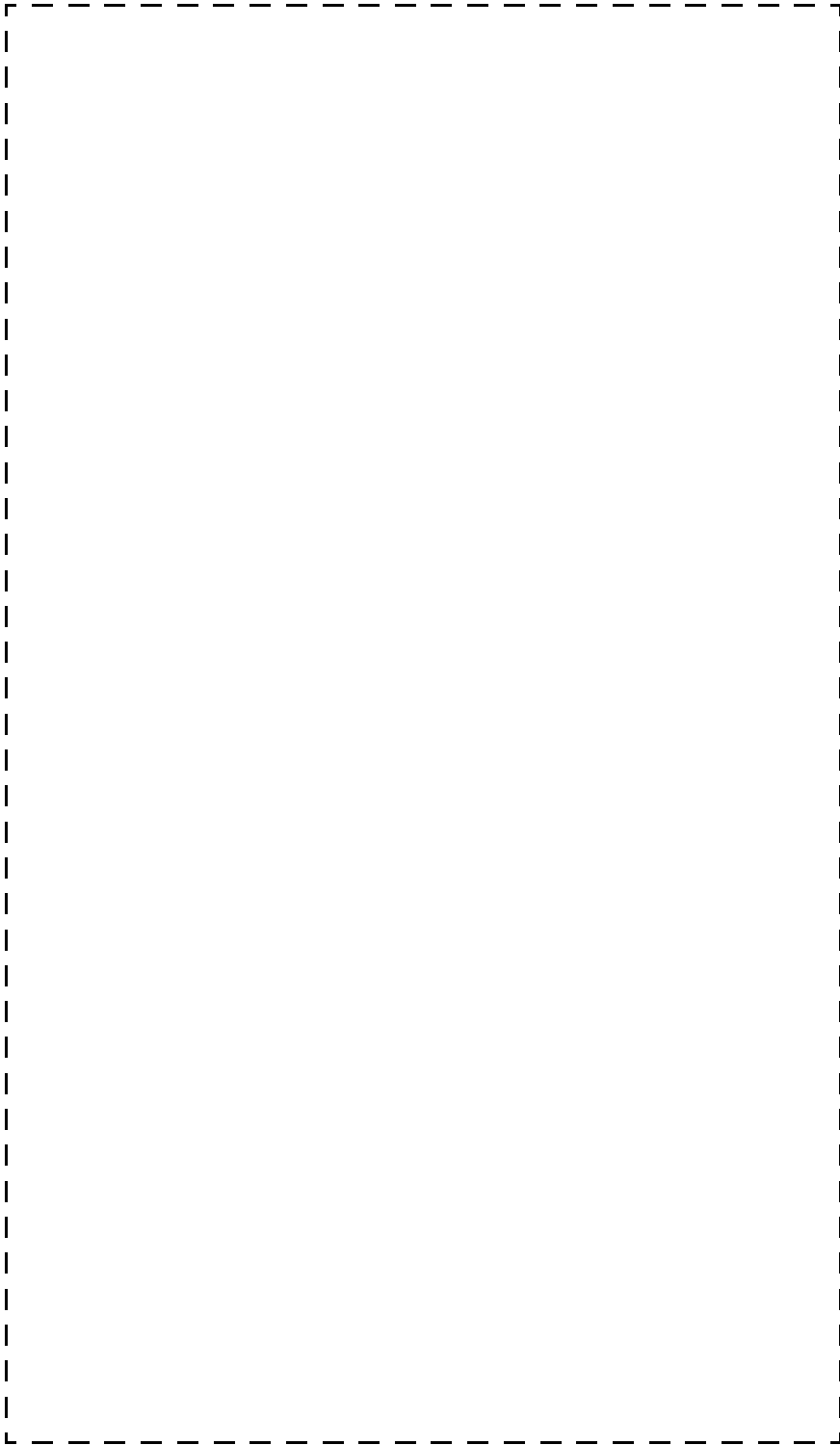
**GLD Products**

**Calgary Air Powered  
Hockey Table**

Item 64-3000

**Staple your receipt here.**

**Important:** A copy of your receipt will be needed to activate your warranty (see page 6).





***Congratulations and THANK YOU for purchasing the Calgary 7 Foot Air Powered Hockey Table. You have chosen a product that should provide years of entertainment. To assist you with customer service and warranty claims, staple your receipt to the inside cover, then keep this manual in a safe place for future reference.***

**GLD Products**

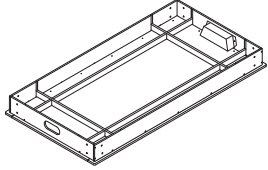
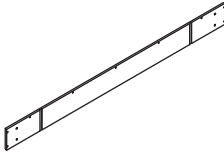
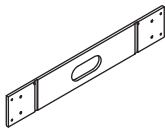


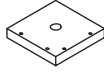
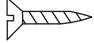
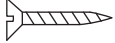


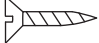
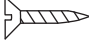
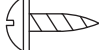







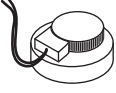
S84 W19093 Enterprise Drive  
Muskego, WI 53150 USA  
1-800-225-7593  
Fax: 1-800-841-6944  
Email: [gld@gldmfg.com](mailto:gld@gldmfg.com)  
Web: [www.gldproducts.com](http://www.gldproducts.com)

This manual may have been updated. For the latest manual visit the GLD Products website.

	<p>Place your package near the location where it will be used. Carefully unpack all components and verify you have all the correct pieces.</p> <p>If you notice missing or defective parts, please call us at: <b>1-800-225-7593.</b></p>
---	---

	<p>Please read and understand all instructions before beginning assembly.</p> <p><b>This assembly will require 2 adults.</b></p> <p>This product is not for use by children without adult supervision.</p>
---	--



Part No./ Qty	Illustration/ Order Number	Part No./ Qty	Illustration/ Order Number	Part No./ Qty	Illustration/ Order Number
<b>1</b>  Qty. 1	 TableTop Order No. 64-3000-21	<b>2</b>  Qty. 2	 Side Panel Order No. 64-3000-1	<b>3</b>  Qty. 2	 End Panel Order No. 64-3000-2
<b>4</b>  Qty. 4	 Long Leg Order No. 64-3000-3	<b>5</b>  Qty. 4	 Short Leg Order No. 64-3000-4	<b>6</b>  Qty. 4	 Leg Base Order No. 64-3000-5
<b>7</b>  Qty. 14	 F4 x 25 mm Countersunk Screw Order No. 2-134	<b>8</b>  Qty. 24	 F4 x 38 mm Countersunk Screw Order No. 2-118	<b>9</b>  Qty. 16	 5/16 x 1 1/2" Socket Head Bolt Order No. 64-3000-8
<b>10</b>  Qty. 16	 5/16" x 19 mm Flat Washer Order No. 1-90	<b>11</b>  Qty. 32	 F4 x 15 mm Countersunk Screw Order No. 64-1025-24	<b>12</b>  Qty. 2	 F4 x 18 mm Countersunk Screw Order No. 4-46
<b>13</b>  Qty. 4	 T4 x 12 mm Pan Head Screw Order No. 2-31	<b>14</b>  Qty. 2	 Puck Return Box Order No. 64-3000-14	<b>15</b>  Qty. 1	 Scorekeeper Order No. 64-3000-15
<b>16</b>  Qty. 4	 Leg Leveler Order No. 64-3000-16	<b>17</b>  Qty. 2	 Goalie Order No. 2-18	<b>18</b>  Qty. 2	 Hockey Puck Order No. 2-20
<b>19</b>  Qty. 2	 Hockey Felt Order No. 2-19	<b>20</b>  Qty. 1	 Tool - Allen Wrench/Phillips Screwdriver	<b>21</b>  Qty. 1	 Fan (pre-assembled) Order No. 64-3000-20

**IF YOU HAVE A WARRANTY CLAIM, CALL US FIRST**

Please see page 13.

**GLD Products**

Available 8 am to 4:30 pm Central Standard Time

S84 W19093 Enterprise Drive  
Muskego, WI 53150 USA  
1-800-225-7593  
Fax: 1-800-841-6944  
Email: [gld@gldmfg.com](mailto:gld@gldmfg.com)  
Web: [www.gldproducts.com](http://www.gldproducts.com)

For all claims, please have your receipt and item number when you call. The product item number can be found on the front cover.

**If you are instructed to return the product for service, you are responsible for shipping the unit at your expense.**

**PRODUCT REGISTRATION**

**Important: The product registration form on page 15 and a copy of your receipt must be completed and returned within 10 days of purchase to validate your warranty.**

**Preparing for Assembly**

- Be sure to unpack all of the parts included in this package. Check inside any tubes or sleeves. Save all packing material until the product is fully assembled and functional.
- Compare the parts in your package with the Parts Identifier description on page 5.
- After unpacking large products, some disassembly may be required prior to beginning the assembly.
- Three AAA batteries will be needed to operate the scorekeeper.

**Tools Required**

- Allen wrench (#20) - included with table
- Phillips screwdriver (#20) - included with table
- Level (not included)
- Electric screwdriver may be helpful. **CAUTION:** You must set at LOW TORQUE and use extreme caution because you could overtighten the hardware, strip the screws, or damage the table.

**Assembly Tips**

Make sure you understand the following before you begin to assemble your game table.

1. READ THIS MANUAL all the way through before beginning assembly.
2. When installing parts that have more than one bolt, start ALL bolts in that part by hand before tightening anything.
3. Some drawings or images in this manual may not look exactly like your product.
4. You may need a second adult to assist with this assembly.

**Note:** Save all packing materials until the parts have been inspected and the table is assembled.

**Unpack the Pieces**

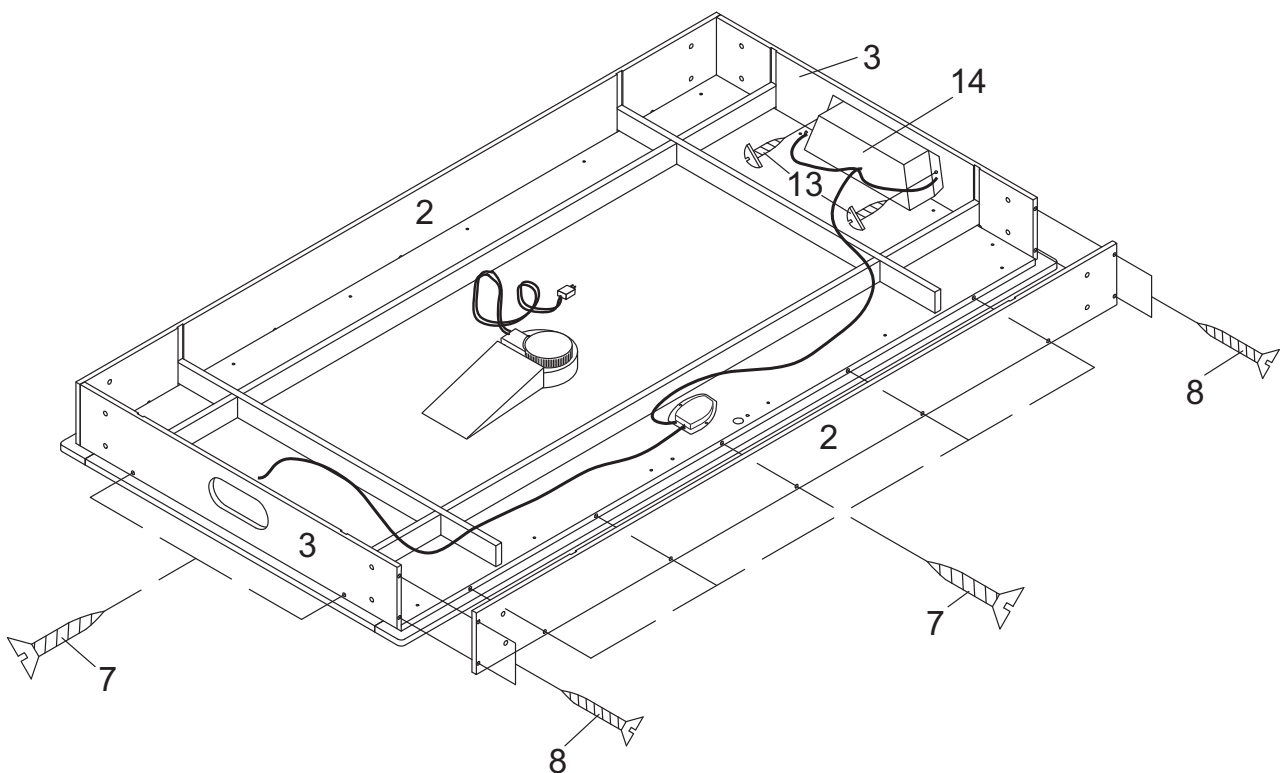
- Lay the box on a flat surface (floor). You may want this near your area of assembly.
- Unpack the boxes and part bags. Inspect and count the parts. The Parts Identifier page can be used to record your results.
- If any parts are damaged or missing, contact GLD Customer Service.
- Missing fasteners may be purchased at a hardware store using the descriptions on the Parts Identifier page.

**Games**

This game table includes the equipment and game pieces for Air Powered Hockey. The rules for this game are not discussed in this manual.

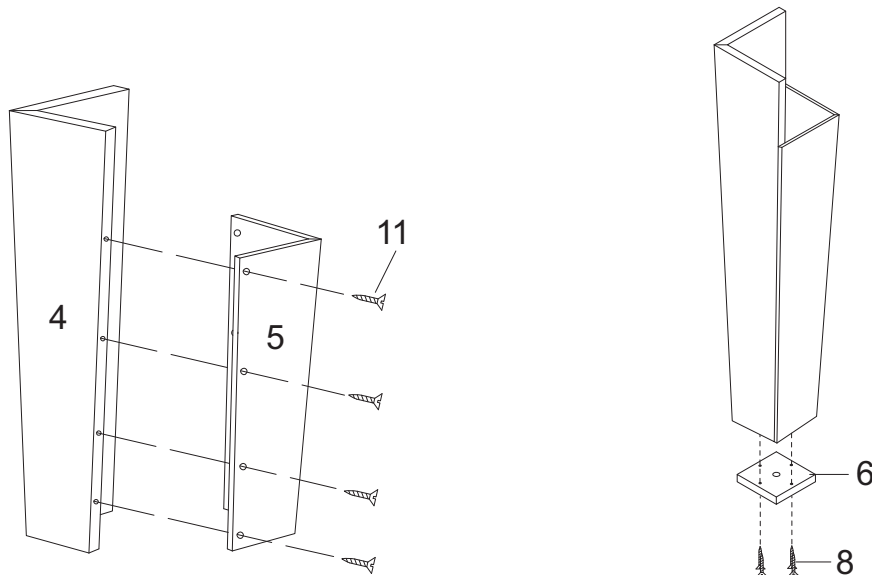
**STEP 1 - ASSEMBLE THE TOP**

1. Position the table top (#1) bottom side up on the floor (flat surface).
2. Hold one of the end panels (#3) in position. Use two screws (#7) and secure the end panel (#3) to the table top (#1).
3. Repeat for the other end panel (#3).
4. Position a side panel (#2) and finger start the four screws (#8) into the two end panels (#3).
5. Use five screws (#7) and secure the side panel (#2) to the table top (#1). Tighten the four screws (#8) into the end panels (#3).
6. Repeat for the second side panel (#2).
7. Position the two puck return boxes (#14) at the ends of the table. Check the wires for length. They should reach the connection block on the underside of the table top (#1).
8. Secure the two puck return boxes (#14) using two screws (#13) each.
9. Run the wires to the connection block and plug them in. These plugs can be switched later if the goal scores for the wrong team.



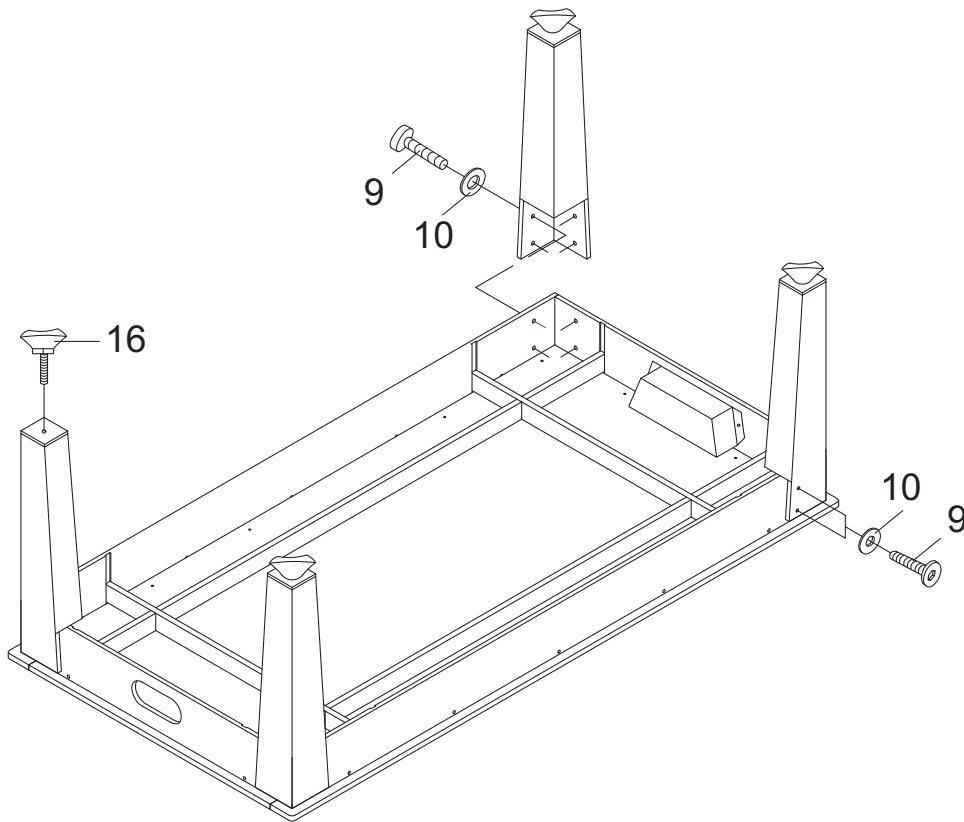
**STEP 2 - ASSEMBLE THE LEGS**

1. Carefully fold a long leg piece (#4) and a short leg piece (#5). Do not bend the hinged edge backwards or continuously flex it.
2. Position the two parts and finger start four screws (#11) into one edge.
3. Tighten a screw (#11) while holding the edges even. Tighten the remaining three screws (#11). Repeat for the other edge.
4. Position a leg bottom (#6) and finger start four screws (#8) into the legs. Tighten the screws (#8).
5. Assemble the other three legs.



**STEP 3 - ATTACH THE LEGS**

1. Select one of the leg assemblies from Step 2.
2. Position the leg over one of the corners.
3. Use four bolts (#9) with washers (#10) and finger start them through the leg and into the table top(#1).
4. Tighten the four bolts (#9).
5. Screw a leg leveler (#16) into the bottom of the leg. Screw it in half-way.
6. Repeat for the other three legs.



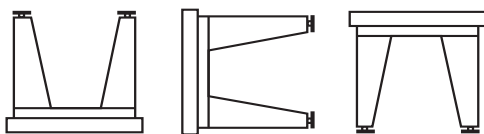
**STEP 4 - TURN THE TABLE OVER**

The table is ready to be turned over.

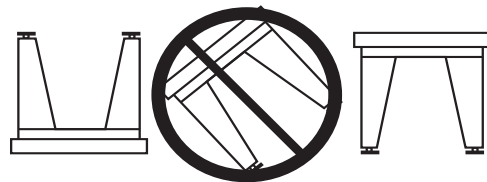
USE AT LEAST TWO PEOPLE TO LIFT THE TABLE ASSEMBLY AND TURN IT OVER TO REST ON THE LEGS.

**DO NOT ROLL THE TABLE OVER.** This will place a sideways force on the legs. The legs should be off the floor until the table assembly is rotated completely. Set the table down.

**DO THIS**

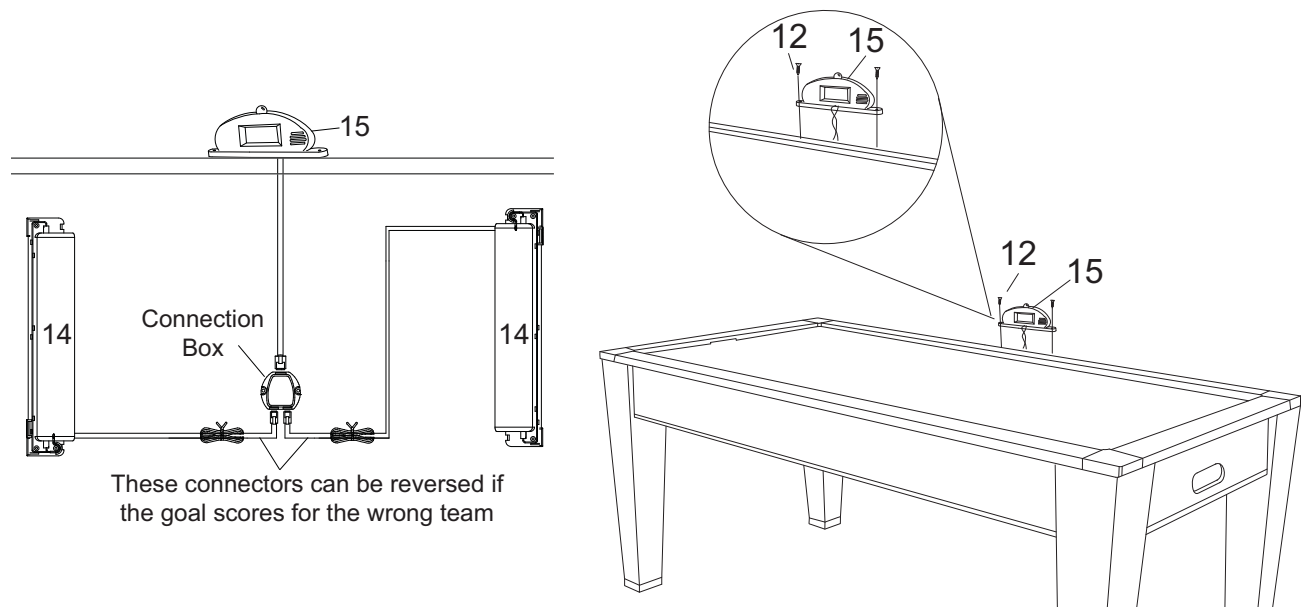


**NOT THIS**



**STEP 5 - MOUNT THE SCOREKEEPER**

1. Place the scorekeeper (#15) over the mounting holes. Insert the wire into the hole in the table. From under the table, plug the connector on the wire into the connection box. The wiring will follow the illustration below.
2. Use two screws (#12) to secure the scorekeeper (#15) to the table top (#1).
3. Open the battery compartment on the back of the scorekeeper (#15). Insert three AAA batteries. The area above the batteries shows the direction.

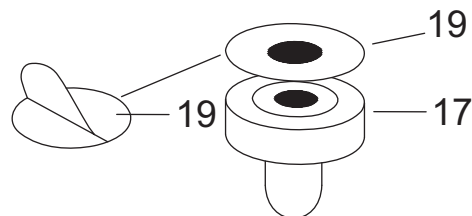


**STEP 6 - LEVEL THE TABLE**

1. Place the table in position.
2. Use a carpenters level to find the low side of the table.
3. Raise or lower the leg levelers as needed to level the table.
4. Level the table side-to-side and end-to-end. When the game is turned on, the puck will float to a low side. Final leveling can be performed if needed.

**STEP 7 - ASSEMBLE GOALIE**

1. Peel paper from one of the hockey felt pieces (#19).
2. Attach the felt to the bottom of the goalie (#17).

**Care and Use of your Table**

- This product is intended for INDOOR use only.
- DO NOT sit, climb, or lean on the table.
- DO NOT drag the table when moving it. This will damage the legs.
- Keep your table covered.
- To clean the hard surfaces spray a cloth with a mild cleaner and wipe.
- Pucks that fly off the table may have chipped edges. Inspect the puck and replace if needed.
- The air holes may become plugged, causing the puck to drag. A small drill bit can be used to re-open the holes. DO NOT use a power drill. Instead, hold the drill bit in your fingers and clear the holes.

**90-DAY LIMITED WARRANTY**

The Manufacturer warrants to the original retail purchaser that this product is free from defects in material and workmanship under normal use and conditions for a period of ninety (90) days from the date of original purchase. The Manufacturer's liability is limited to the repair or replacement, at its option, of any defective product and shall not include any liability for indirect, incidental or consequential damages of any kind. Should this product become defective due to material or workmanship within the warranty period, contact our Customer Service Department. This warranty is not transferable and does not cover normal wear and tear or damage caused by improper usage, negligence, misuse, abuse, transportation damage, acts of nature, or accident (including failure to follow the instructions in this manual). It does not cover expendable items such as batteries, light bulbs, fuses, accessories, cosmetic parts and other items that wear out due to normal usage, including felt covered areas of the playing surface. This warranty is also void if the product is disassembled and reassembled, damaged, modified from its original state, or used for other than indoor personal residential use (no commercial or rental applications).

This warranty gives you specific legal rights, and you may have other rights which vary from state to state.

**IF YOU HAVE A WARRANTY CLAIM, CALL US FIRST (8 - 4:30 CST)**

Please have your receipt and item number (found on the front cover) when you call.

***GLD Products***

S84 W19093 Enterprise Drive  
Muskego, WI 53150 USA  
1-800-225-7593  
Fax: 1-800-841-6944  
Email: [gld@gldmfg.com](mailto:gld@gldmfg.com)  
Web: [www.gldproducts.com](http://www.gldproducts.com)

**If you are instructed to return the product for service, you are responsible for shipping the unit at your expense to the above address in packaging that will protect against further damage. All warranty or repair requests require a Return Authorization Number prior to returning the item.**

**PRODUCT REGISTRATION**

**Important:** The product registration form on page 15 must be completed and returned along with a copy of your receipt within 10 days of purchase to validate your warranty.



# REGISTER YOUR PRODUCT

Place postage here

Complete this form, include a copy of your receipt, fold, tape (do not staple) and return within 10 days of purchase. This protects your warranty and will help us develop new products!

Cut here.

**GLD Products**  
Warranty Department  
S84 W19093 Enterprise Drive  
Muskego, WI 53150 USA

Fold here second.



GAME TABLES                      HOME CASINO  
GAMES AND ACCESSORIES        BILLIARD CUES  
BILLIARD ACCESSORIES            DARTBOARDS  
SOFT-TIP DARTS                    STEEL-TIP DARTS  
FLIGHTS AND SHAFTS              DART CASES AND ACCESSORIES

Fold here first.

Name	Date of Purchase
Address	Phone-Day
City	Phone-Evening
State                      Zip	Email
Purchase Price:	Item: <b>64-3000 Calgary Air Powered Hockey Table</b>
Store Name:	

1. What are the top two reasons that influenced the purchase of this product? Select two.

<input type="checkbox"/>
<input type="checkbox"/>
<input type="checkbox"/>
<input type="checkbox"/>

Brand reputation  
Saw in an advertisement  
Quality/durability  
Value for price

<input type="checkbox"/>
<input type="checkbox"/>
<input type="checkbox"/>

Prior experience with another GLD product  
Color/appearance  
Other

2. How did you become aware of this product? Select two.

<input type="checkbox"/>	Saw in an advertisement	<input type="checkbox"/>	Saw it in the store
<input type="checkbox"/>	Saw or used a friend's or relative's	<input type="checkbox"/>	Recommended by another person
<input type="checkbox"/>	Received as a gift	<input type="checkbox"/>	Other

3. Rate your satisfaction with each of the following?

	Excellent	Good	Fair	Poor
Assembly instructions				
Ease of assembly				
Packaging				
Overall product satisfaction				

4. Were there any parts missing?

Yes     No    If so, which ones?    Order No. \_\_\_\_\_

5. Based on your experience, would you buy another GLD product?

Yes     No

6. Is this the first GLD product that you've owned? If No, what other product have you owned?:

Yes     No    \_\_\_\_\_

7. Have you owned products from:

Sportcraft     Harvard     Classic Sport     Other

8. When did you decide to purchase this product?

Before entering the store.     While in the store/impulse purchase

9. How many times per month will you use it?

1 to 3     4 to 8     9 to 15     16 +

10. Are you the intended user of this product?

Yes     No, indicate who: \_\_\_\_\_

11. Where will you use this product?

Home     Other: \_\_\_\_\_

12. Please tell us your gender?

Male     Female

13. And your marital status?

Married     Single

14. Age?

Under 25     25 - 40     40 - 60     Over 60

15. Which best describes your family income?

<input type="checkbox"/>	Under \$25,000	<input type="checkbox"/>	\$25,000 - \$49,999	<input type="checkbox"/>	\$50,000 - \$99,999
<input type="checkbox"/>	\$100,000 - 149,999	<input type="checkbox"/>	\$150,000 - \$199,999	<input type="checkbox"/>	Over \$200,000

16. Education:

<input type="checkbox"/>	Some high school	<input type="checkbox"/>	College degree
<input type="checkbox"/>	Completed high school	<input type="checkbox"/>	Graduate degree

**Remember to attach a copy of your receipt.**

**Mail To: GLD Products**  
 S84 W19093 Enterprise Drive  
 Muskego, WI 53150 USA  
 1-800-225-7593 • FAX 800-841-6944  
 Email: gld@gldmfg.com  
 Web Site: www.gldproducts.com

# Calgary Air Powered Hockey Table

Item 64-3000

## Parts Re-Order Form

Name		Date
Address		Phone-Day
City		Phone-Evening
State	Zip	Email

Order No.	Description	Unit Price (each)	Qty.	Total Amount
64-3000-21	Table Top	150.00		
64-3000-1	Side Panel	20.00		
64-3000-2	End Panel	20.00		
64-3000-3	Long Leg	20.00		
64-3000-4	Short Leg	20.00		
64-3000-5	Leg Base	5.00		
2-134	F4 x 25 mm Countersunk Screw	0.20		
2-118	F4 x 38 mm Countersunk Screw	0.20		
64-3000-8	5/16 x 1 1/2" Socket Head Bolt	1.00		
1-90	5/16" x 19 mm Flat Washer	0.20		
64-1025-24	F4 x 15 mm Countersunk Screw	0.20		
4-46	F4 x 18 mm Countersunk Screw	0.20		
2-31	T4 x 12 mm Pan Head Screw	0.20		
64-3000-14	Puck Return Box	10.00		
64-3000-15	Scorekeeper	15.00		
64-3000-16	Leg Leveler	3.00		
2-18	Goalie	4.00		
2-20	Hockey Puck	2.00		
2-19	Hockey Felt	1.00		
64-3000-20	Fan	25.00		
		Subtotal		
		S/H		
		Tax		
		Total		

Shipping will be added. If paid by Check or Money Order, call for quote.  
 5.1% Waukesha Wisconsin tax will apply (subject to change).

### Method of Payment

Check or Money Order  
 Credit Card  
 Visa  MasterCard  Discover  American Express  
 Card # \_\_\_\_\_  
 Security Code # \_\_\_\_\_ Billing Address Zipcode \_\_\_\_\_  
 Signature \_\_\_\_\_ Exp. Date \_\_\_\_\_

### Shipping Address

Name \_\_\_\_\_  
 Address \_\_\_\_\_ Phone \_\_\_\_\_  
 City \_\_\_\_\_ State \_\_\_\_\_ Zip \_\_\_\_\_



**GLD**<sup>®</sup>

*P R O D U C T S*

[www.gldproducts.com](http://www.gldproducts.com)

**GAME TABLES**

**HOME CASINO**

**GAMES AND ACCESSORIES**

**BILLIARD CUES**

**BILLIARD ACCESSORIES**

**DARTBOARDS**

**SOFT-TIP DARTS**

**STEEL-TIP DARTS**

**FLIGHTS AND SHAFTS**

**DART CASES AND ACCESSORIES**



**PROUD MANUFACTURER OF**



S84 W19093 Enterprise Drive • Muskego, WI 53150 USA  
262.679.8730 or 1.800.225.7593 tele  
262.679.8738 or 1.800.841.6944 fax  
262.679.8739 international fax  
Email: [gld@gldmfg.com](mailto:gld@gldmfg.com)  
[www.gldproducts.com](http://www.gldproducts.com)