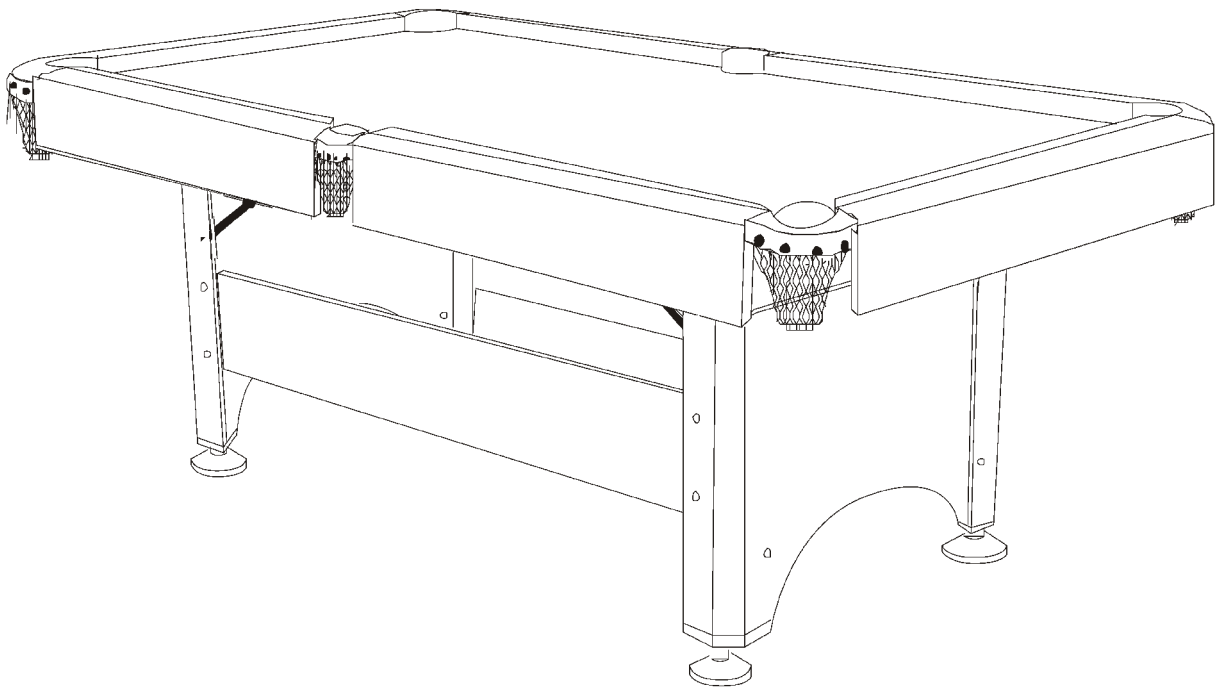


GPD[®]

P R O D U C T S

REGALIA POOL TABLE



Item #64-0130
June 2006

UPC CODE 7-19265-51414-5

IMPORTANT: READ THIS MANUAL ALL THE WAY THROUGH BEFORE BEGINNING TO PUT YOUR GAME TABLE TOGETHER! THEN READ EACH STEP BEFORE STARTING THAT STEP.

TWO ADULTS ARE REQUIRED TO ASSEMBLE THIS GAME TABLE.

Tools Required:

Level

Assembly Tips

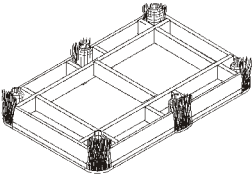
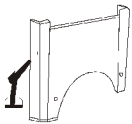
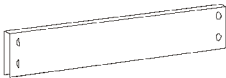
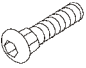



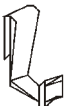

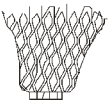

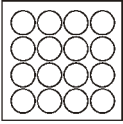

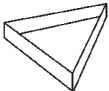
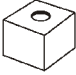
Make sure you understand the following tips before you begin to assemble your game table.

1. When installing parts that have more than one bolt, start ALL bolts in that part by hand before tightening anything.
2. Some drawings or images in this manual may not look exactly like your product. Please read and understand the text before starting each assembly step.

Care and Use of Your Table

- Keep wooden surfaces clean with a damp cloth.
- This product is intended for INDOOR use only.
- DO NOT sit, climb, or lean on the table.
- DO NOT drag the table when moving it. This will damage the legs.

PARTS

<p>#1</p>  <p>Table Top (1)</p>	<p>#2 Pre-Installed</p>  <p>Leg Panel Assemblies W/Hinges (2)</p>	<p>#3</p>  <p>Side Cross Panel (2)</p>	<p>#4</p>  <p>6 x 35 mm Bolt (8)</p>
<p>#5</p>  <p>8 mm Wing Nut (8)</p>	<p>#6</p>  <p>8 mm Washer (8)</p>	<p>#7 Pre-Installed</p>  <p>Metal Hinge - Black (4)</p>	<p>#8</p>  <p>Triangle Holder (1)</p>
<p>#9</p>  <p>Leg Leveler (4)</p>	<p>#10 Pre-Installed</p>  <p>Billiard Corner Pockets (4)</p>	<p>#11 Pre-Installed</p>  <p>Billiard Side Pockets (2)</p>	<p>#12</p>  <p>Billiard Balls 1 set</p>
<p>#13</p>  <p>57" 2-pc Cue Sticks (2)</p>	<p>#14</p>  <p>Triangle (1)</p>	<p>#15</p>  <p>Chalk 2 pieces</p>	

ASSEMBLY

Lay the table (1) bottom side up on the floor.

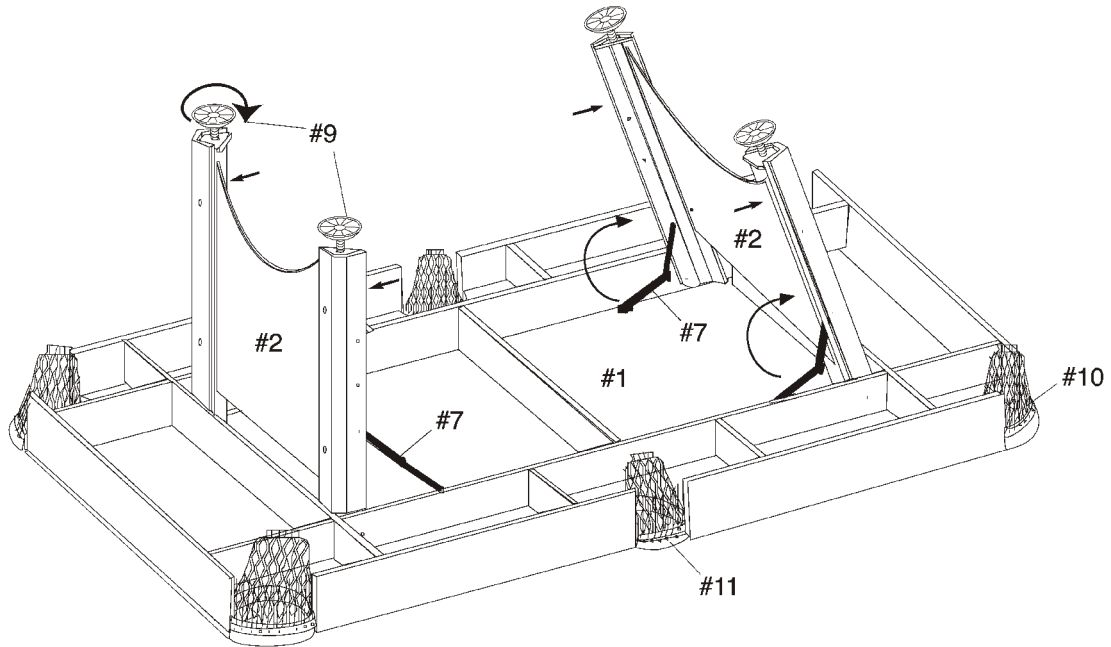


Figure 1

STEP 1 ASSEMBLE THE LEGS

- Lift both leg assemblies (2) up until the hinges (7) are straight.
- The leg levelers (9) should be screwed in half-way.

STEP 2

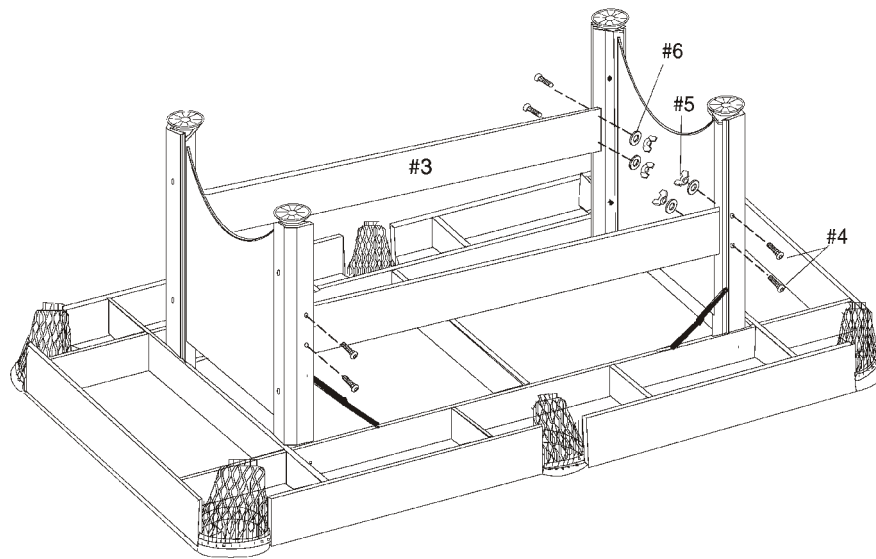


Figure 2

- Position a side cross panel (3) between the inside two legs.
- Insert four bolts (4) and screw a wing nut (5) with a washer (6) on each.
- Repeat on the other side.
- Tighten all eight bolts.

STEP 3

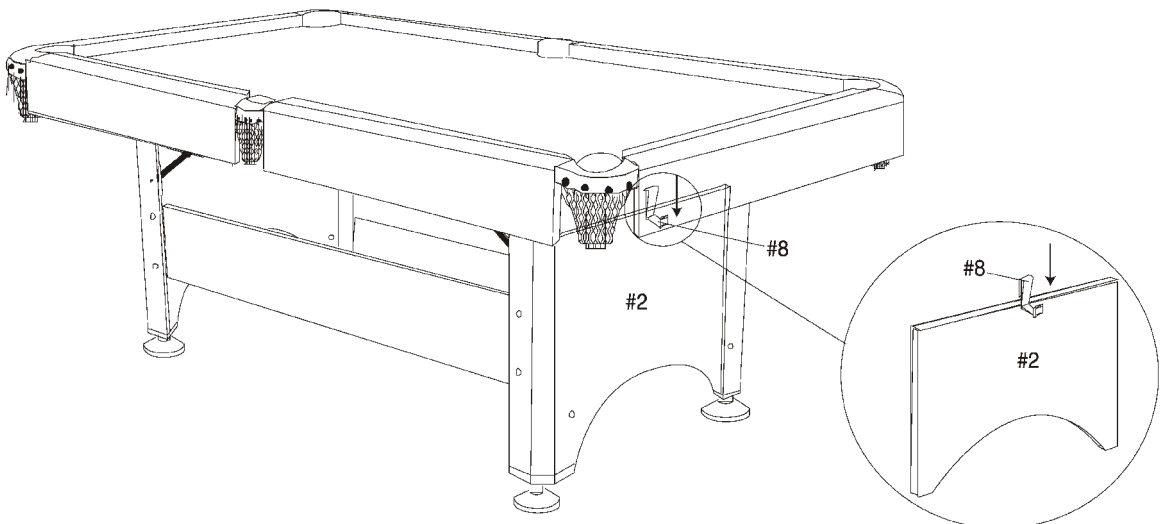


Figure 3

- Turn the table over. Two adults should perform this action.
- Position the table in the room.
- Determine which end will be used to rack the balls.
- Clip the triangle hanger (8) over the top of the leg panel.

Method of Payment

_____ Check or Money Order

_____ Credit Card

_____ Visa _____ MasterCard _____ Discover _____ American Express

Card # _____

Toll Free Customer Service phone number on back of card _____

Signature _____ Exp. Date _____

Shipping Address

Name _____

Address _____ Phone _____

City _____ State _____ Zip _____

Mail To:

GLD Products

S84 W19093 Enterprise Drive

Muskego, WI 53150 USA

800-225-7593 • FAX 800-841-6944

Email: gld@gldmfg.com

Web Site: www.gldproducts.com

WARRANTY

Manufacturer warrants to the original retail purchaser, this product to be free from defects in material and workmanship for a period of ninety (90) days from the date of purchase.

Should this product become defective due to material or workmanship within the warranty period, contact our Customer Service Department. This warranty is not transferable and does not cover normal wear and tear, or damage caused by improper handling, installation, or use of this product. This warranty is also void if product is in any way abused, damaged, or modified from its original state, or if used for other than indoor residential use. This warranty gives you specific legal rights, and you may have other rights which vary from state to state.

DO NOT RETURN TO STORE

For all returns and warranty coverage, please call:
GLD Products 1-800-225-7593

Please provide model number, serial number and/or part number when you call. Numbers can be found on outside of packaging.

GLD Products

S84 W19093 Enterprise Drive

Muskego, WI 53150 USA

800-225-7593 • FAX 800-841-6944

Email: gld@gldmfg.com

Web Site: www.gldproducts.com