

WARRANTY INFORMATION

90-Day Warranty on Pockey™ Table

Manufacturer warrants to the original retail purchaser, this product to be free from defects in material and workmanship for a period of ninety (90) days from the date of purchase.

Should this product become defective due to material or workmanship within the warranty period, contact our Customer Service Department. This warranty is not transferable and does not cover normal wear and tear, or damage caused by improper handling, installation or use of this product. This warranty is also void if product is in any way abused, damaged, or modified from its original state, or if used for other than indoor residential use. This warranty gives you specific legal rights, and you may have other rights which vary from state to state.

DO NOT RETURN TO STORE

For all returns and warranty coverage, please visit our website at www.gldmfg.com or call **1-800-225-7593**. Please provide model number, serial number and/or part number when you call. Numbers can be found on outside of packaging.



GLD Products

S84 W19093 Enterprise Drive
Muskego, WI 53150 USA
800 225 7593 • FAX 800 841 6944
Web Site: www.gldproducts.com
Email: gld@gldmfg.com

Model # 64-1041

Easy Assembly Instructions

POCKEY™

2 IN 1 GAMETABLE



DO NOT RETURN TO STORE

For all returns and warranty coverage, please call:

GLD Products
1-800-225-7593

Please provide model number, serial number and/or part number when you call. Numbers can be found on outside of packaging.



Congratulations on your purchase of the Pockey™ 2 in 1 Gametable!

This manual is to instruct you during the assembly of your new table. Four people are required for some steps.

Careful handling of all parts during assembly will ensure many years of enjoyment!

WARNING: Changing of game should be done under adult supervision.

Rotating table may pose a finger pinching hazard for young children. Please exercise caution.

Never open fan compartment while fan is running. To do so may cause serious injury.

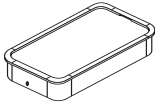
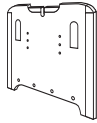
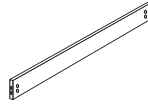
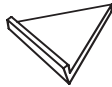

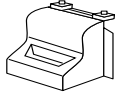

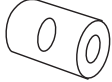
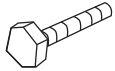




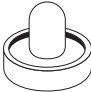

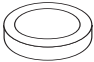
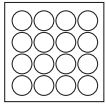

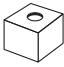
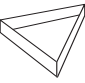



PRO TIP Arrange all of your tools before you begin assembly.

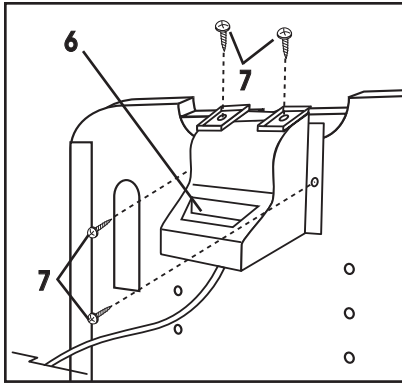
TOOLS

Assembly of the Pockey™ 2 in 1 Gametable requires the following common tools:

- Phillips screwdriver
- Wrench (included)
- Level

Pockey™ 2 in 1 Gametable Parts List

| | | | | |
|--|--|---|--|--|
| #1.  Table Top 1 piece | #2.  Pedestal Leg 2 pieces | #3.  Side Rail 2 pieces | #4.  Corner Brace 4 pieces | #5.  Table Lock 4 pieces |
| #6.  Puck Catcher 2 pieces | #7.  1/2" Round Head Screw - 16 pieces | #8.  1/4" Barrel Nut 8 pieces | #9.  1/4" x 2" Hex Bolt 8 pieces | #10.  1" screw 16 pieces |
| #11.  1/4" Washer 8 pieces | #12.  20mm Washer 8 pieces | #13.  20mm Hex Nut 4 pieces | #14.  Goalie 2 pieces | #15.  Goalie Felt Sticker 2 pieces |
| #16.  Round Puck 1 piece | #17.  Billiard Balls 1 set | #18.  2 Cue Sticks 4 pieces | #19.  Chalk 2 pieces | #20.  Triangle 1 piece |
| #21.  Leveler 4 pieces | #22.  Wrench 1 piece | #23.  Wrench 1 piece | | |



STEP 5. Attaching the Puck Catchers

Align (#6) puck catcher with predrilled holes on each end of playing table and secure to pedestal with (#7) round head screws. Run the power cord through the puck catcher.

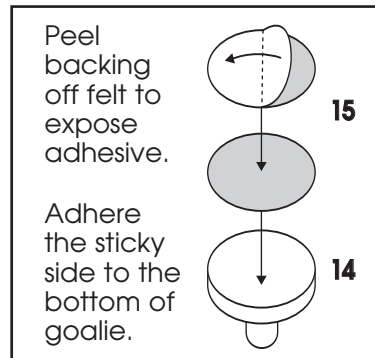
STEP 7. Adjust Levelers

With the help of another person, turn each leveler until table rests level to the floor. Check with a level placed cross-wise and length-wise on table top. Readjust levelers as necessary.

STEP 8. Assembling Goalies

Remove and discard sticky backer from (#15) goalie felt sticker and apply to (#14) goalie.

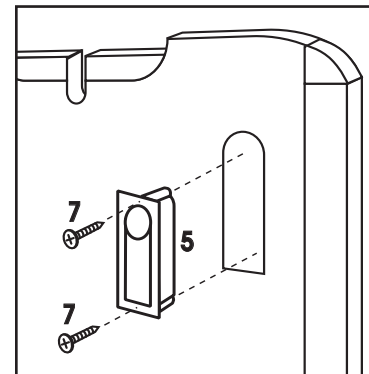
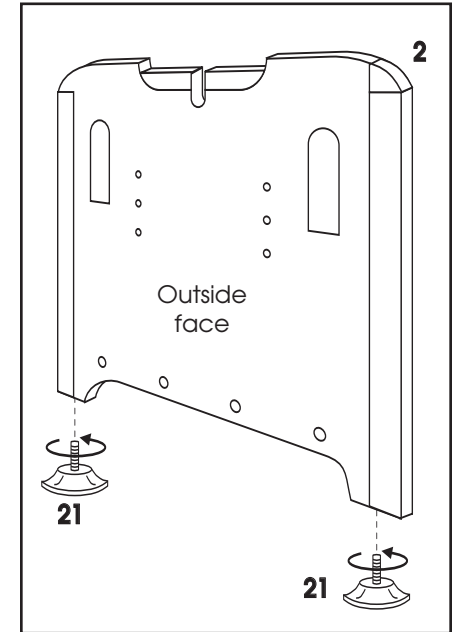
You are now ready to play!



Assembling Your Aluminum Pockey™ 2 in 1 Gametable!

STEP 1. Pedestal Assembly

Carefully remove two (#2) pedestals and four (#21) levelers from package. Insert levelers into pre-drilled holes in bottom of bases and secure part way.



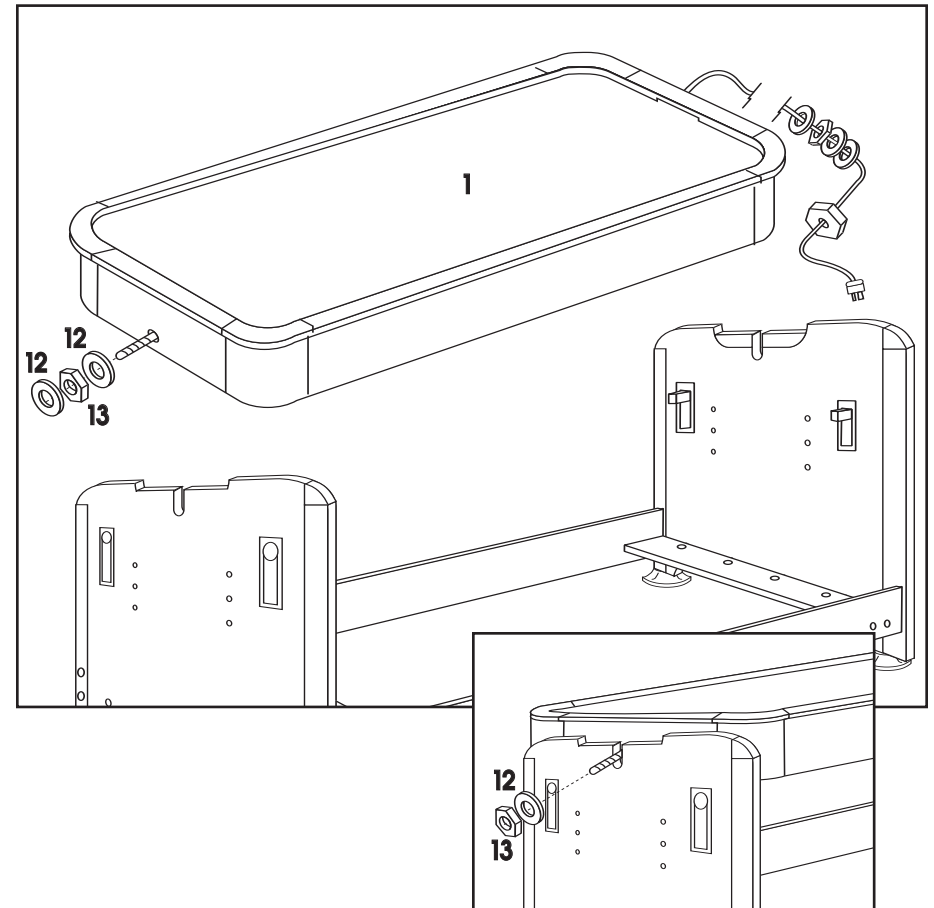
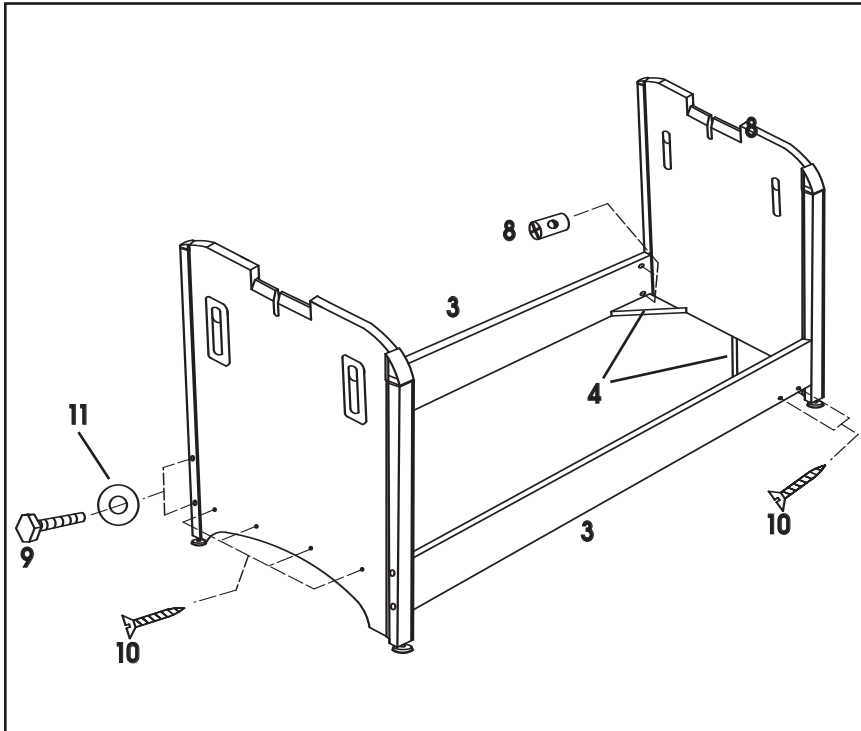
STEP 2. Attaching the Table Locks

Attach two (#5) locks to outside of each pedestal using (#7) round head screws.

STEP 3. Assembling the Base

With the help of another person, attach (#3) side rails to the pedestals using (#11) washers and (#9) hex bolts as shown.

Attach (#4) corner braces to pedestal and side rails using (#10) screws and (#8) barrel nuts as shown.



STEP 4. Attach the Rotating Table Top

Slide one (#12) washer, one (#13) hex nut and another (#12) washer onto bolt. Repeat for other end. With the help of three other people, lift the table top and rest it in the center groove on the top of each pedestal. Slide one (#12) washer and one (#13) hex nut onto bolt. The pedestal should rest between the two (#12) washers.

